

Mechanical clamp

ISMC-R 212x212x45 12-80 40x40

<https://www.schmalz.com/10.01.12.01720>



Part no.: 10.01.12.01720

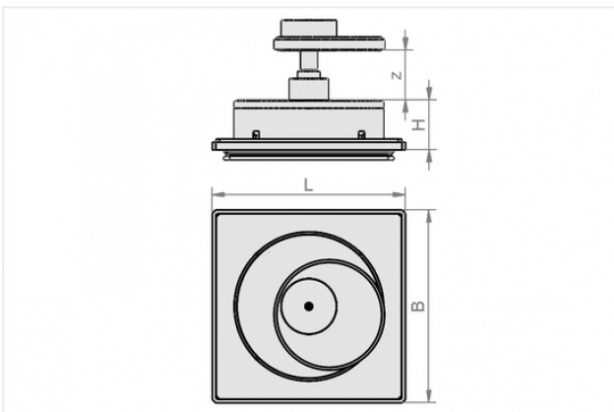
Homepage > Vacuum Clamping Technology > Clamping Solutions for Woodworking > Grid Table Systems > Further Clamping Equipment for Grid Table Systems > ISMC-R 212x212x45 12-80 40x40

Mechanical clamp for narrow and frame parts, for grid tables



Basic area: 212 x 212 mm mm
Height H: 45 mm
Stroke Z: 10 mm
Clamping range: 12.0 ... 80.0 mm
grid: 40 x 40 mm mm

Design Data



Attribute	Value
-----------	-------

B	212 mm
---	--------

H	45 mm
---	-------

L	212 mm
---	--------

Technical Data

Attribute	Value
-----------	-------

Weight	2.53 kg
--------	---------

Contact to Schmalz

J. Schmalz GmbH | Johannes-Schmalz-Straße, 72293 Glatten, Deutschland | +49 7443 2403-102 | customercenter@schmalz.de

