

# Mechanical clamp

## ISMC-R 175x175x45 12-80 30/50

<https://www.schmalz.com/10.01.15.00244>



Part no.: 10.01.15.00244

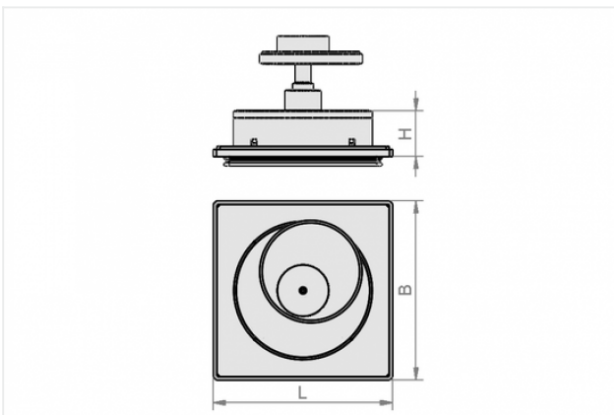
Homepage > Vacuum Clamping Technology > Clamping Solutions for Woodworking > Grid Table Systems > Further Clamping Equipment for Grid Table Systems > ISMC-R 175x175x45 12-80 30/50

## Mechanical clamp for narrow and frame parts, for grid tables



Basic area: 175 x 175 mm mm  
Height H: 45 mm  
Stroke Z: 10 mm  
Clamping range: 12.0 ... 80.0 mm  
grid: 30x30 mm / 50x50 mm mm

### Design Data



Attribute	Value
-----------	-------

B	175 mm
---	--------

H	45 mm
---	-------

L	175 mm
---	--------

### Technical Data

Attribute	Value
-----------	-------

Weight	1.916 kg
--------	----------

### Contact to Schmalz

J. Schmalz GmbH | Johannes-Schmalz-Straße, 72293 Glatten, Deutschland | +49 7443 2403-102 | [customercenter@schmalz.de](mailto:customercenter@schmalz.de)

