

Magnetic plug ISMST 19-7 4ISMST

Part no.: 10.01.14.00847

<https://www.schmalz.com/10.01.14.00847>



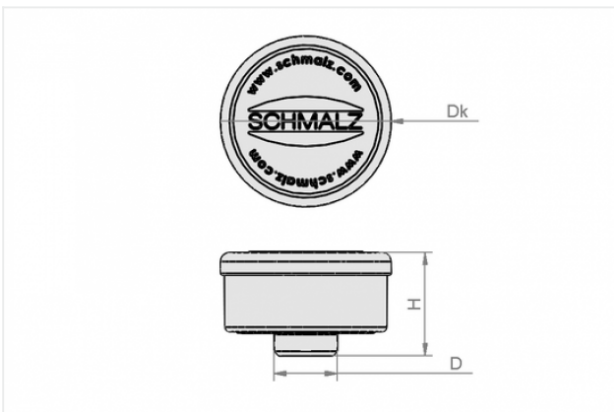
Homepage > Vacuum Clamping Technology > Clamping Solutions for Woodworking > Modernization of CNC Machining Centers > Accessories and Spare Parts > ISMST 19-7 4ISMST

Magnetic sealing plug for clamping system Innospann



Head diameter Dk: 19 mm
External diameter D: 7 mm
contains: 4 Magnetic sealing plug

Design Data



Attribute	Value
-----------	-------

D	7 mm
---	------

Contact to Schmalz

J. Schmalz GmbH | Johannes-Schmalz-Straße, 72293 Glatten, Deutschland | +49 7443 2403-102 | customercenter@schmalz.de