

## Adapter plate

ISAP-R 160x160x16 50x50  
5/7

Part no.: 10.01.15.00296

<https://www.schmalz.com/10.01.15.00296>



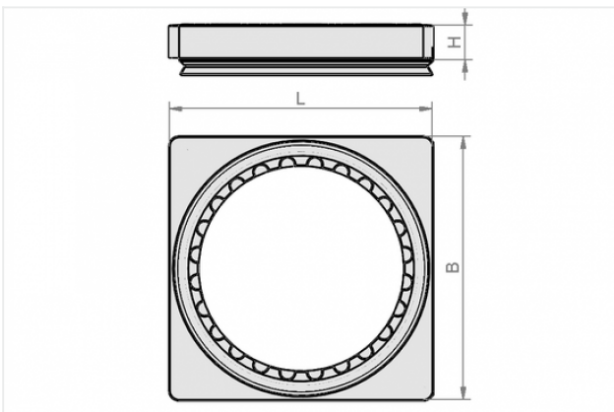
Homepage > Vacuum Clamping Technology > Clamping Solutions for Woodworking > Grid Table Systems > Vacuum Blocks VCBL-B > ISAP-R  
160x160x16 50x50 5/7

### Adapter-Plate for grid tables



Length L: 160 mm  
Width B: 160 mm  
Height H: 16 mm  
grid: 50 x 50 mm  
for slot: 5x5 mm / 7x7 mm

### Design Data



Attribute	Value
-----------	-------

B	160 mm
---	--------

H	16 mm
---	-------

L	160 mm
---	--------

### Technical Data

Attribute	Value
-----------	-------

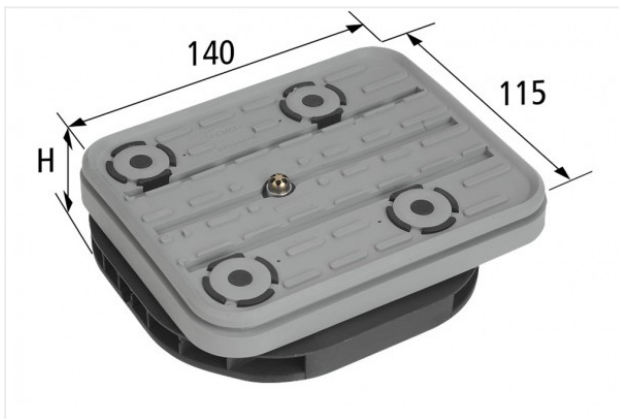
Weight	0.7682 kg
--------	-----------

**Biesse is a registered and protected trademark. The articles listed here are products of J. Schmalz GmbH that have been designed to fit CNC machining centers from Biesse.**

### Contact to Schmalz

J. Schmalz GmbH | Johannes-Schmalz-Straße, 72293 Glatten, Deutschland | +49 7443 2403-102 |  
customercenter@schmalz.de

## Accessories



### **VCBL-B 140x115x29 TV**

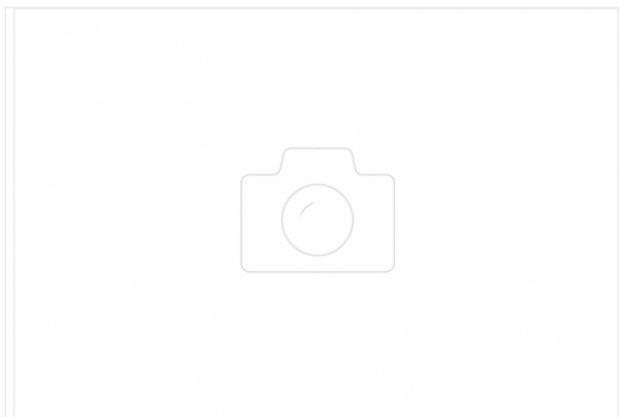
Part no. 10.01.12.01136

Vacuum block

Dimensions (LxB): 140 x 115 mm

Height H: 29 mm

with: Sensing valve



### **VCBL-B 125x75x29 TV**

Part no. 10.01.12.01152

Vacuum block

Dimensions (LxB): 125 x 75 mm

Height H: 29 mm

with: Sensing valve



### **VCBL-B 120x50x29 TV**

Part no. 10.01.12.01151

Vacuum block

Dimensions (LxB): 120 x 50 mm

Height H: 29 mm

with: Sensing valve



**VCBL-B 130x30x29 TV**

Part no. 10.01.12.01149

Vacuum block

Dimensions (LxB): 130 x 30 mm

Height H: 29 mm

with: Sensing valve