

Adapter plate

AP-R-130x130x16-30/40-5/7

<https://www.schmalz.com/10.01.15.00279>



Part no.: 10.01.15.00279

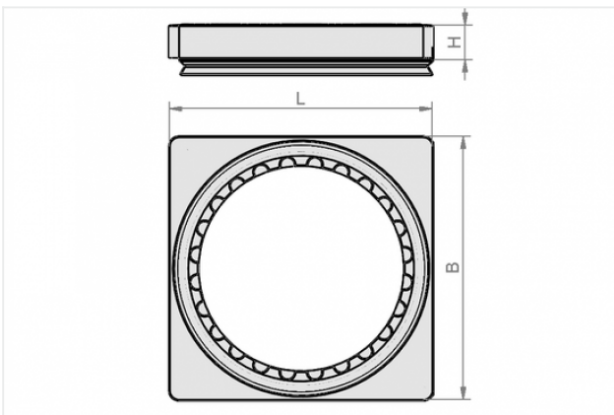
Homepage > Vacuum Clamping Technology > Clamping Solutions for Woodworking > Grid Table Systems > Vacuum Blocks VCBL-B > AP-R-130x130x16-30/40-5/7

Adapter-Plate AP for usage of Vacuum Blocks VCBL-B



for: Grid table systems
Working height H1 (max): 45 mm
Length L: 130 mm
Width B: 130 mm
Height H: 16 mm
grid: 30x30 / 40x40 mm
for slot: 5x5 mm / 7x7 mm

Design Data



Attribute	Value
-----------	-------

B	130 mm
---	--------

H	16 mm
---	-------

L	130 mm
---	--------

Technical Data

Attribute	Value
-----------	-------

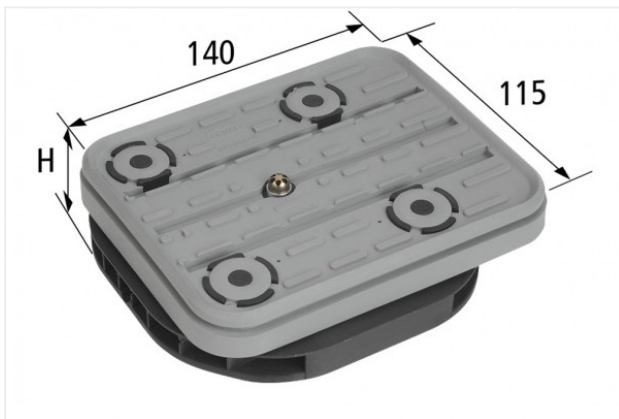
grid	30x30 / 40x40 mm
------	------------------

Biesse is a registered and protected trademark. The articles listed here are products of J. Schmalz GmbH that have been designed to fit CNC machining centers from Biesse.

Contact to Schmalz

J. Schmalz GmbH | Johannes-Schmalz-Straße, 72293 Glatten, Deutschland | +49 7443 2403-102 | customercenter@schmalz.de

Accessories



VCBL-B 140x115x29 TV

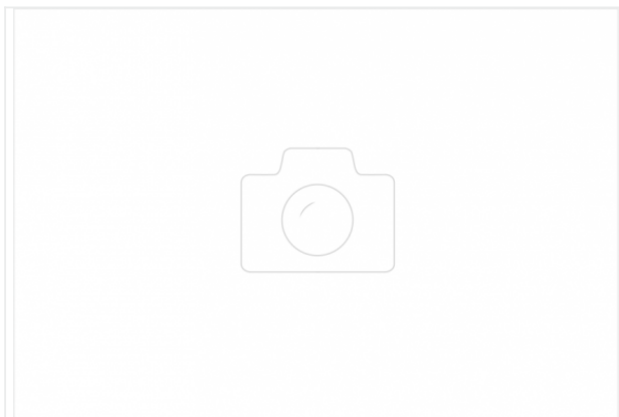
Part no. 10.01.12.01136

Vacuum block

Dimensions (LxB): 140 x 115 mm

Height H: 29 mm

with: Sensing valve



VCBL-B 125x75x29 TV

Part no. 10.01.12.01152

Vacuum block

Dimensions (LxB): 125 x 75 mm

Height H: 29 mm

with: Sensing valve



VCBL-B 120x50x29 TV

Part no. 10.01.12.01151

Vacuum block

Dimensions (LxB): 120 x 50 mm

Height H: 29 mm

with: Sensing valve



VCBL-B 130x30x29 TV

Part no. 10.01.12.01149

Vacuum block

Dimensions (LxB): 130 x 30 mm

Height H: 29 mm

with: Sensing valve