

Adapter plate

AP-S4-145x145x21

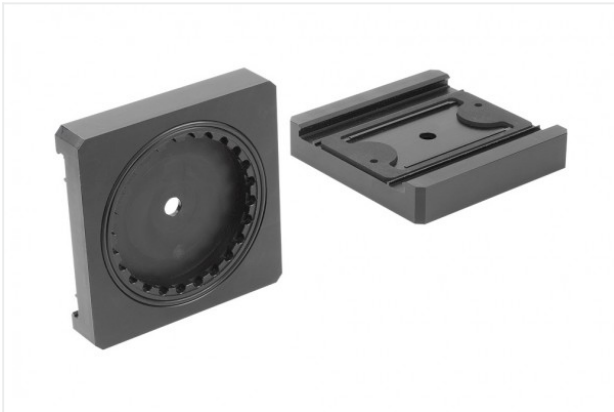
<https://www.schmalz.com/10.01.12.03623>



Part no.: 10.01.12.03623

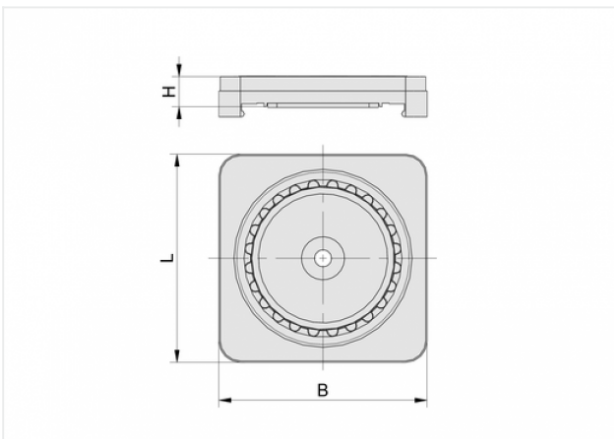
Homepage > Vacuum Clamping Technology > Clamping Solutions for Woodworking > Console Table Systems > Clamping Equipment for SCM / Morbidelli Consoles > AP-S4-145x145x21

Adapter-Plate AP for usage of Vacuum Blocks VCBL-B



for: SCM console systems (TVN)
Working height H1 (max): 50 mm
Length L: 145 mm
Width B: 145 mm
Height H: 21 mm

Design Data



Attribute	Value
-----------	-------

B	145 mm
---	--------

H	21 mm
---	-------

L	145 mm
---	--------

Contact to Schmalz

J. Schmalz GmbH | Johannes-Schmalz-Straße, 72293 Glatten, Deutschland | +49 7443 2403-102 | customercenter@schmalz.de