

Vacuum block

<https://www.schmalz.com/10.01.12.01473>



VCBL-S4 125x75x50 D-360 TV

Part no.: 10.01.12.01473

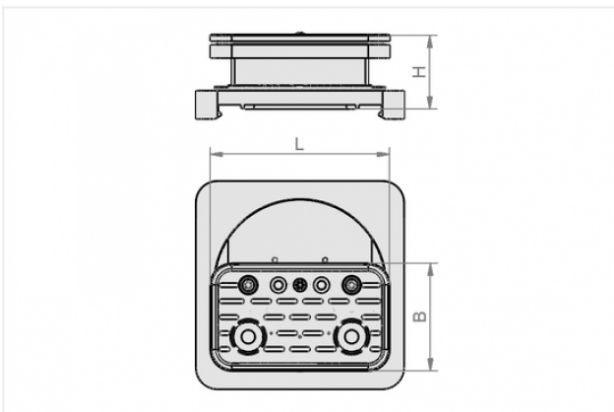
Homepage > Vacuum Clamping Technology > Clamping Solutions for Woodworking > Console Table Systems > Clamping Equipment for SCM / Morbidelli Consoles > VCBL-S4 125x75x50 D-360 TV

Vacuum block for SCM/Morbidelli console - Type 4



Dimensions (LxB): 125 x 75 mm
Height H: 50 mm
Arrangement: Can be turned 360°
with: Sensing valve

Design Data



Attribute	Value
B	75 mm
H	50 mm
L	125 mm

Technical Data

Attribute	Value
Weight	0.802 kg

SCM / Morbidelli is a registered and protected trademark. The articles listed here are products of J. Schmalz GmbH that have been designed to fit CNC machining centers from SCM / Morbidelli.

Contact to Schmalz

J. Schmalz GmbH | Johannes-Schmalz-Straße, 72293 Glatten, Deutschland | +49 7443 2403-102 | customercenter@schmalz.de



[Contact to Schmalz](#)

J. Schmalz GmbH | Johannes-Schmalz-Straße, 72293 Glatten, Deutschland | +49 7443 2403-102 | customercenter@schmalz.de