

## Vacuum block

<https://www.schmalz.com/10.01.12.01472>



### VCBL-S4 140x115x50 D-360 TV

Part no.: 10.01.12.01472

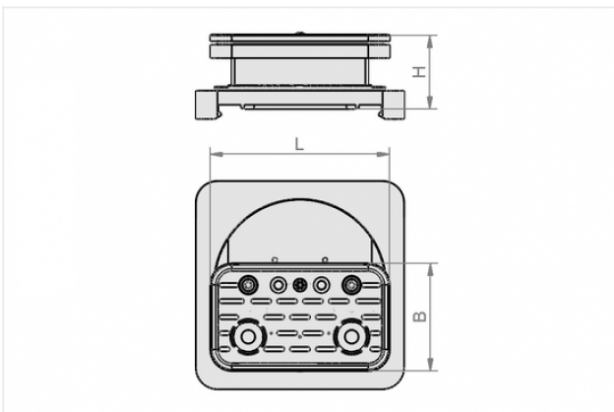
Homepage > Vacuum Clamping Technology > Clamping Solutions for Woodworking > Console Table Systems > Clamping Equipment for SCM / Morbidelli Consoles > VCBL-S4 140x115x50 D-360 TV

## Vacuum block for SCM/Morbidelli console - Type 4



Dimensions (LxB): 140 x 115 mm  
Height H: 50 mm  
Arrangement: Can be turned 360°  
with: Sensing valve

### Design Data



Attribute	Value
-----------	-------

B	115 mm
---	--------

H	50 mm
---	-------

L	140 mm
---	--------

### Technical Data

Attribute	Value
Weight	0.99 kg

SCM / Morbidelli is a registered and protected trademark. The articles listed here are products of J. Schmalz GmbH that have been designed to fit CNC machining centers from SCM / Morbidelli.

### Contact to Schmalz

J. Schmalz GmbH | Johannes-Schmalz-Straße, 72293 Glatten, Deutschland | +49 7443 2403-102 | [customercenter@schmalz.de](mailto:customercenter@schmalz.de)



---

---

[Contact to Schmalz](#)

J. Schmalz GmbH | Johannes-Schmalz-Straße, 72293 Glatten, Deutschland | +49 7443 2403-102 |  
customercenter@schmalz.de