

Vacuum block

VCBL-S4 140x130x50 TV

Part no.: 10.01.12.02321

<https://www.schmalz.com/10.01.12.02321>



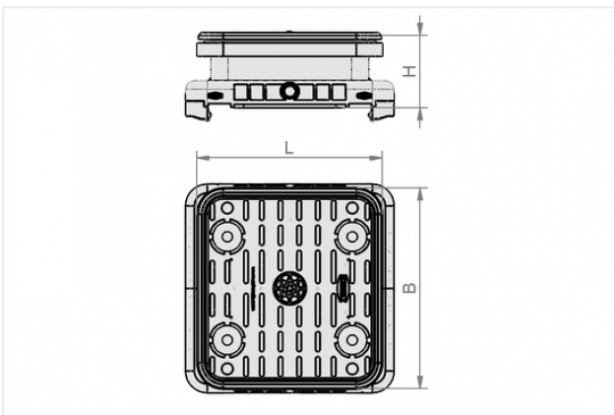
Homepage > Vacuum Clamping Technology > Clamping Solutions for Woodworking > Console Table Systems > Clamping Equipment for SCM / Morbidelli Consoles > VCBL-S4 140x130x50 TV

Vacuum block for SCM/Morbidelli console - Type 4



Dimensions (LxB): 140 x 130 mm
Height H: 50 mm
with: Sensing valve

Design Data



Attribute	Value
-----------	-------

B	130 mm
---	--------

H	50 mm
---	-------

L	140 mm
---	--------

Technical Data

Attribute	Value
-----------	-------

Weight	0.67 kg
--------	---------

SCM / Morbidelli is a registered and protected trademark. The articles listed here are products of J. Schmalz GmbH that have been designed to fit CNC machining centers from SCM / Morbidelli.

Contact to Schmalz

J. Schmalz GmbH | Johannes-Schmalz-Straße, 72293 Glatten, Deutschland | +49 7443 2403-102 | customercenter@schmalz.de

Spare Parts



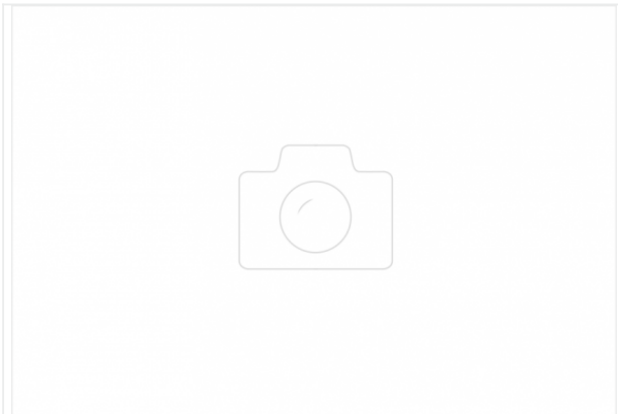
VCSP-O 140x130x16.5

Part no. 10.01.12.02325

Suction-Plate for vacuum block, (top)

Dimensions (LxB): 140 x 130 mm

Height H: 16.5 mm



VST VCTV

Part no. 10.01.12.01651

Set of parts subject to wear
for: Vacuum block sensing valve