

Vacuum block

VCBL-S1 125x75x32.7 TV

Part no.: 10.01.12.02318

<https://www.schmalz.com/10.01.12.02318>



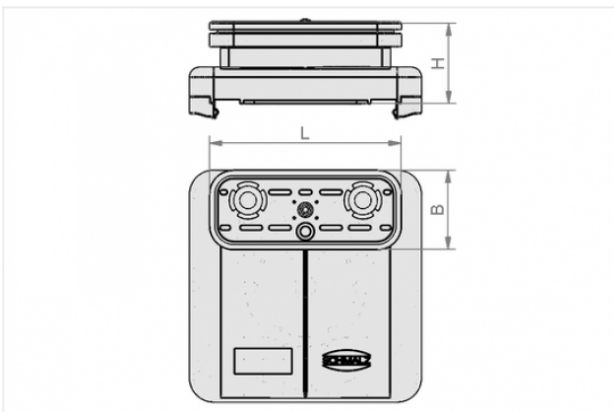
Homepage > Vacuum Clamping Technology > Clamping Solutions for Woodworking > Console Table Systems > Clamping Equipment for SCM / Morbidelli Consoles > VCBL-S1 125x75x32.7 TV

Vacuum block for SCM/Morbidelli console - Type 1



Dimensions (LxB): 125 x 75 mm
Height H: 32.7 mm
with: Sensing valve

Design Data



| Attribute | Value |
|-----------|-------|
|-----------|-------|

| | |
|---|-------|
| B | 75 mm |
|---|-------|

| | |
|---|---------|
| H | 32.7 mm |
|---|---------|

| | |
|---|--------|
| L | 125 mm |
|---|--------|

Technical Data

| Attribute | Value |
|-----------|-------|
|-----------|-------|

| | |
|--------|----------|
| Weight | 0.451 kg |
|--------|----------|

SCM / Morbidelli is a registered and protected trademark. The articles listed here are products of J. Schmalz GmbH that have been designed to fit CNC machining centers from SCM / Morbidelli.

Contact to Schmalz

J. Schmalz GmbH | Johannes-Schmalz-Straße, 72293 Glatten, Deutschland | +49 7443 2403-102 | customercenter@schmalz.de



[Contact to Schmalz](#)

J. Schmalz GmbH | Johannes-Schmalz-Straße, 72293 Glatten, Deutschland | +49 7443 2403-102 |
customercenter@schmalz.de