

# Vacuum block

<https://www.schmalz.com/10.01.12.02317>



## VCBL-S1 120x120x32.7 TV

Part no.: 10.01.12.02317

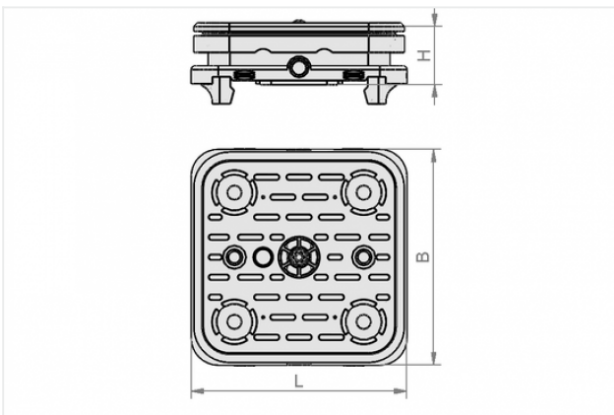
Homepage > Vacuum Clamping Technology > Clamping Solutions for Woodworking > Console Table Systems > Clamping Equipment for SCM / Morbidelli Consoles > VCBL-S1 120x120x32.7 TV

### Vacuum block for SCM/Morbidelli console - Type 1



Dimensions (LxB): 120 x 120 mm  
Height H: 32.7 mm  
with: Sensing valve

#### Design Data



Attribute	Value
-----------	-------

B	120 mm
---	--------

H	32.7 mm
---	---------

L	120 mm
---	--------

#### Technical Data

Attribute	Value
-----------	-------

Weight	0.363 kg
--------	----------

SCM / Morbidelli is a registered and protected trademark. The articles listed here are products of J. Schmalz GmbH that have been designed to fit CNC machining centers from SCM / Morbidelli.

#### Contact to Schmalz

J. Schmalz GmbH | Johannes-Schmalz-Straße, 72293 Glatten, Deutschland | +49 7443 2403-102 | [customercenter@schmalz.de](mailto:customercenter@schmalz.de)



---

---

[Contact to Schmalz](#)

J. Schmalz GmbH | Johannes-Schmalz-Straße, 72293 Glatten, Deutschland | +49 7443 2403-102 |  
customercenter@schmalz.de