

Vacuum block

VCBL-K2 120x50x125 Q TV

Part no.: 10.01.12.02130

<https://www.schmalz.com/10.01.12.02130>



Homepage > Vacuum Clamping Technology > Clamping Solutions for Woodworking > Console Table Systems > Clamping Equipment for Schmalz
Consoles (two-circuit) > VCBL-K2 120x50x125 Q TV

Vacuum block for Schmalz 2-circuit console



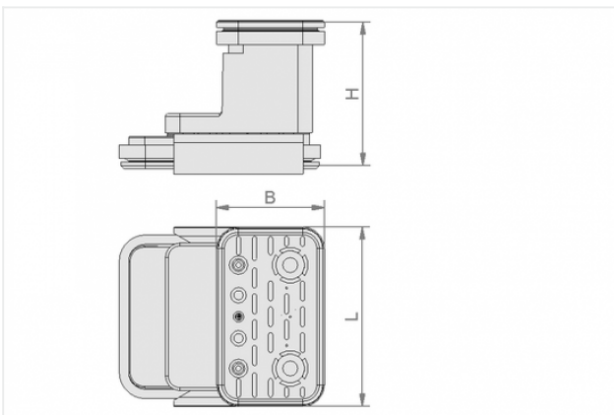
Dimensions (LxB): 120 x 50 mm

Height H: 125 mm

Arrangement: crossways

with: Sensing valve

Design Data



Attribute

Value

H

125 mm

Technical Data

Attribute

Value

Weight

0.781 kg

Contact to Schmalz

J. Schmalz GmbH | Johannes-Schmalz-Straße, 72293 Glatten, Deutschland | +49 7443 2403-102 |
customercenter@schmalz.de



Contact to Schmalz

J. Schmalz GmbH | Johannes-Schmalz-Straße, 72293 Glatten, Deutschland | +49 7443 2403-102 |
customercenter@schmalz.de