

Vacuum block

<https://www.schmalz.com/10.01.12.02132>



VCBL-K2 125x75x125 L TV

Part no.: 10.01.12.02132

Homepage > Vacuum Clamping Technology > Clamping Solutions for Woodworking > Console Table Systems > Clamping Equipment for Schmalz
Consoles (two-circuit) > VCBL-K2 125x75x125 L TV

Vacuum block for Schmalz 2-circuit console



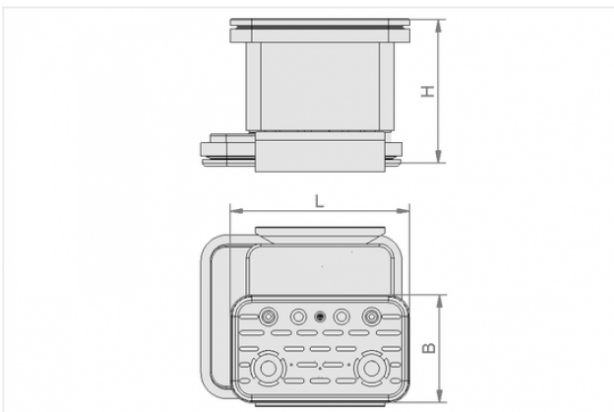
Dimensions (LxB): 125 x 75 mm

Height H: 125 mm

Arrangement: longways

with: Sensing valve

Design Data



Attribute

Value

H

125 mm

Technical Data

Attribute

Value

Weight

0.814 kg

Contact to Schmalz

J. Schmalz GmbH | Johannes-Schmalz-Straße, 72293 Glatten, Deutschland | +49 7443 2403-102 |
customercenter@schmalz.de



Contact to Schmalz

J. Schmalz GmbH | Johannes-Schmalz-Straße, 72293 Glatten, Deutschland | +49 7443 2403-102 |
customercenter@schmalz.de