

Vacuum block

<https://www.schmalz.com/10.01.12.02129>



VCBL-K2 125x75x125 Q TV

Part no.: 10.01.12.02129

Homepage > Vacuum Clamping Technology > Clamping Solutions for Woodworking > Console Table Systems > Clamping Equipment for Schmalz
Consoles (two-circuit) > VCBL-K2 125x75x125 Q TV

Vacuum block for Schmalz 2-circuit console



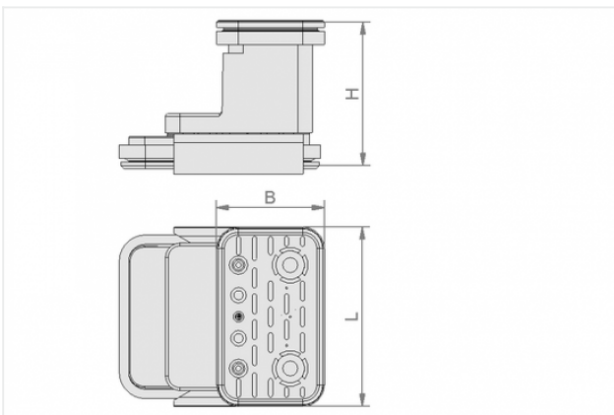
Dimensions (LxB): 125 x 75 mm

Height H: 125 mm

Arrangement: crossways

with: Sensing valve

Design Data



Attribute	Value
H	125 mm

Technical Data

Attribute	Value
Weight	0.815 kg

Contact to Schmalz

J. Schmalz GmbH | Johannes-Schmalz-Straße, 72293 Glatten, Deutschland | +49 7443 2403-102 | customercenter@schmalz.de



Contact to Schmalz

J. Schmalz GmbH | Johannes-Schmalz-Straße, 72293 Glatten, Deutschland | +49 7443 2403-102 |
customercenter@schmalz.de