

# Vacuum block

## VCBL-K2 130x30x75 L TV

Part no.: 10.01.12.02210

<https://www.schmalz.com/10.01.12.02210>



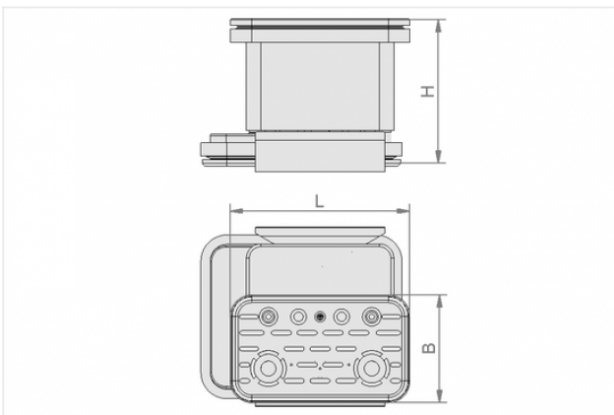
Homepage > Vacuum Clamping Technology > Clamping Solutions for Woodworking > Console Table Systems > Clamping Equipment for Schmalz  
Consoles (two-circuit) > VCBL-K2 130x30x75 L TV

### Vacuum block for Schmalz 2-circuit console



Dimensions (LxB): 130 x 30 mm  
Height H: 75 mm  
Arrangement: longways  
with: Sensing valve

### Design Data



Attribute	Value
-----------	-------

H	75 mm
---	-------

### Technical Data

Attribute	Value
-----------	-------

Weight	0.8 kg
--------	--------

### Contact to Schmalz

J. Schmalz GmbH | Johannes-Schmalz-Straße, 72293 Glatten, Deutschland | +49 7443 2403-102 |  
customercenter@schmalz.de



---

### Contact to Schmalz

J. Schmalz GmbH | Johannes-Schmalz-Straße, 72293 Glatten, Deutschland | +49 7443 2403-102 |  
customercenter@schmalz.de