

Vacuum block

VCBL-K2 130x30x75 Q TV

<https://www.schmalz.com/10.01.12.02209>



Part no.: 10.01.12.02209

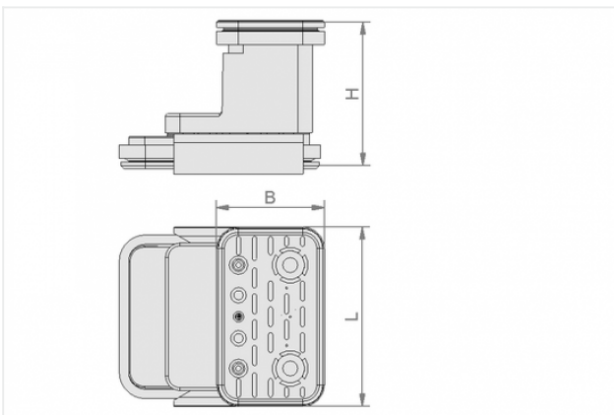
Homepage > Vacuum Clamping Technology > Clamping Solutions for Woodworking > Console Table Systems > Clamping Equipment for Schmalz
Consoles (two-circuit) > VCBL-K2 130x30x75 Q TV

Vacuum block for Schmalz 2-circuit console



Dimensions (LxB): 130 x 30 mm
Height H: 75 mm
Arrangement: crossways
with: Sensing valve

Design Data



Attribute	Value
H	75 mm

Technical Data

Attribute	Value
Weight	0.8 kg

Contact to Schmalz

J. Schmalz GmbH | Johannes-Schmalz-Straße, 72293 Glatten, Deutschland | +49 7443 2403-102 | customercenter@schmalz.de



Contact to Schmalz

J. Schmalz GmbH | Johannes-Schmalz-Straße, 72293 Glatten, Deutschland | +49 7443 2403-102 |
customercenter@schmalz.de