

# Vacuum block

## VCBL-K2 130x30x75 Q

Part no.: 10.01.12.02207

<https://www.schmalz.com/10.01.12.02207>



Homepage > Vacuum Clamping Technology > Clamping Solutions for Woodworking > Console Table Systems > Clamping Equipment for Schmalz  
Consoles (two-circuit) > VCBL-K2 130x30x75 Q

### Vacuum block for Schmalz 2-circuit console

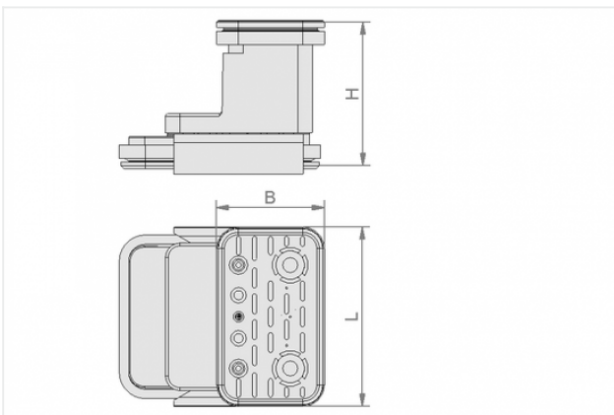


Dimensions (LxB): 130 x 30 mm

Height H: 75 mm

Arrangement: crossways

### Design Data



Attribute	Value
-----------	-------

H	75 mm
---	-------

### Technical Data

Attribute	Value
-----------	-------

Weight	0.558 kg
--------	----------

### Contact to Schmalz

J. Schmalz GmbH | Johannes-Schmalz-Straße, 72293 Glatten, Deutschland | +49 7443 2403-102 | [customercenter@schmalz.de](mailto:customercenter@schmalz.de)



---

#### Contact to Schmalz

J. Schmalz GmbH | Johannes-Schmalz-Straße, 72293 Glatten, Deutschland | +49 7443 2403-102 |  
customercenter@schmalz.de