

# Vacuum block

## VCBL-K2 120x50x75 D-360

<https://www.schmalz.com/10.01.12.02212>



Part no.: 10.01.12.02212

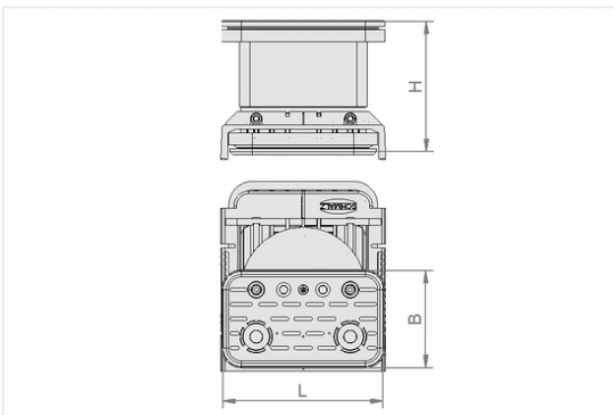
Homepage > Vacuum Clamping Technology > Clamping Solutions for Woodworking > Console Table Systems > Clamping Equipment for Schmalz  
Consoles (two-circuit) > VCBL-K2 120x50x75 D-360

### Vacuum block for Schmalz 2-circuit console



Dimensions (LxB): 120 x 50 mm  
Height H: 75 mm  
Arrangement: Can be turned 360°

### Design Data



Attribute	Value
-----------	-------

H	75 mm
---	-------

### Technical Data

Attribute	Value
Weight	0.84 kg

### Contact to Schmalz

J. Schmalz GmbH | Johannes-Schmalz-Straße, 72293 Glatten, Deutschland | +49 7443 2403-102 | [customercenter@schmalz.de](mailto:customercenter@schmalz.de)



---

### Contact to Schmalz

J. Schmalz GmbH | Johannes-Schmalz-Straße, 72293 Glatten, Deutschland | +49 7443 2403-102 |  
customercenter@schmalz.de