

Vacuum block

<https://www.schmalz.com/10.01.12.02211>



VCBL-K2 125x75x75 D-360

Part no.: 10.01.12.02211

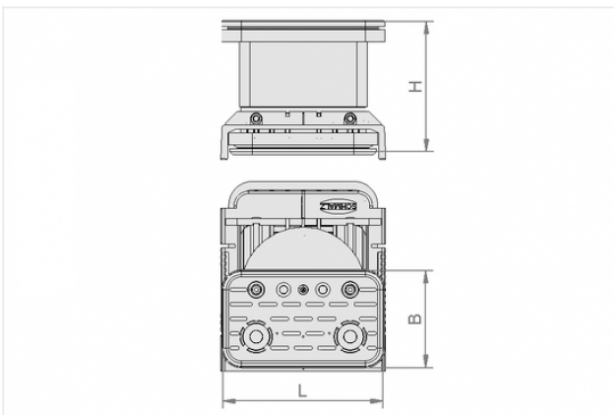
Homepage > Vacuum Clamping Technology > Clamping Solutions for Woodworking > Console Table Systems > Clamping Equipment for Schmalz
Consoles (two-circuit) > VCBL-K2 125x75x75 D-360

Vacuum block for Schmalz 2-circuit console



Dimensions (LxB): 125 x 75 mm
Height H: 75 mm
Arrangement: Can be turned 360°

Design Data



Attribute	Value
-----------	-------

H	75 mm
---	-------

Technical Data

Attribute	Value
Weight	0.925 kg

Contact to Schmalz

J. Schmalz GmbH | Johannes-Schmalz-Straße, 72293 Glatten, Deutschland | +49 7443 2403-102 | customercenter@schmalz.de



Contact to Schmalz

J. Schmalz GmbH | Johannes-Schmalz-Straße, 72293 Glatten, Deutschland | +49 7443 2403-102 |
customercenter@schmalz.de