

# Vacuum block

## VCBL-K2 125x75x75 Q TV

<https://www.schmalz.com/10.01.12.02201>



Part no.: 10.01.12.02201

Homepage > Vacuum Clamping Technology > Clamping Solutions for Woodworking > Console Table Systems > Clamping Equipment for Schmalz  
Consoles (two-circuit) > VCBL-K2 125x75x75 Q TV

## Vacuum block for Schmalz 2-circuit console



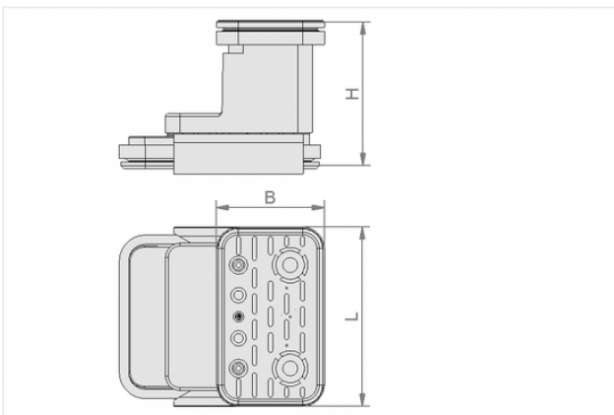
Dimensions (LxB): 125 x 75 mm

Height H: 75 mm

Arrangement: crossways

with: Sensing valve

## Design Data



Attribute	Value
-----------	-------

H	75 mm
---	-------

## Technical Data

Attribute	Value
-----------	-------

Weight	0.8 kg
--------	--------

## Contact to Schmalz

J. Schmalz GmbH | Johannes-Schmalz-Straße, 72293 Glatten, Deutschland | +49 7443 2403-102 |  
customercenter@schmalz.de

