

Template suction cup

VCBLS-K2 140x115x75

<https://www.schmalz.com/10.01.12.00856>



Part no.: 10.01.12.00856

Homepage > Vacuum Clamping Technology > Clamping Solutions for Woodworking > Console Table Systems > Clamping Equipment for Schmalz
Consoles (two-circuit) > VCBLS-K2 140x115x75

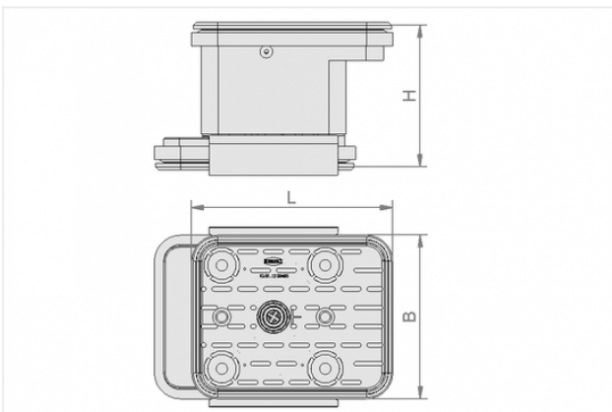
Template suction cup for Schmalz 2-circuit console



Dimensions (LxB): 140 x 115 mm

Height H: 75 mm

Design Data



Attribute	Value
-----------	-------

H	75 mm
---	-------

Spare Parts

Contact to Schmalz

J. Schmalz GmbH | Johannes-Schmalz-Straße, 72293 Glatten, Deutschland | +49 7443 2403-102 | customercenter@schmalz.de



VCSP-U 140x115x16.5 VCBL-K2

Part no. 10.01.12.00798

Suction-Plate for vacuum block, bottom

Dimensions (LxB): 140 x 115 mm

Height H: 16.5 mm

for: Vacuum block VCBL-K2