

Vacuum block

VCBL-K2 120x50x50 L

<https://www.schmalz.com/10.01.12.00771>



Part no.: 10.01.12.00771

Homepage > Vacuum Clamping Technology > Clamping Solutions for Woodworking > Console Table Systems > Clamping Equipment for Schmalz
Consoles (two-circuit) > VCBL-K2 120x50x50 L

Vacuum block for Schmalz 2-circuit console

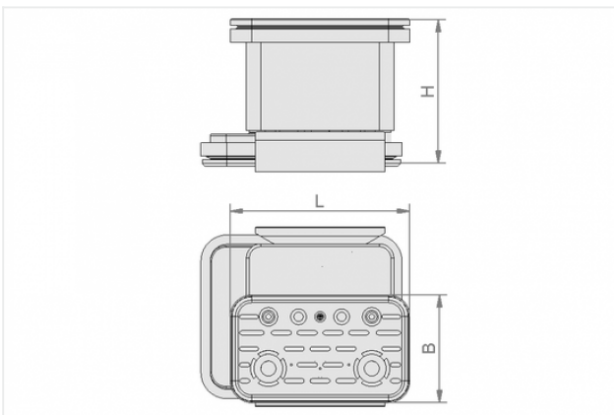


Dimensions (LxB): 120 x 50 mm

Height H: 50 mm

Arrangement: longways

Design Data



Attribute	Value
B	50 mm
H	50 mm
L	120 mm

Technical Data

Attribute	Value
Weight	0.6 kg

Contact to Schmalz

J. Schmalz GmbH | Johannes-Schmalz-Straße, 72293 Glatten, Deutschland | +49 7443 2403-102 | customercenter@schmalz.de

