

# Template suction cup

## VCBLS-K2 140x115x50

<https://www.schmalz.com/10.01.12.00636>



Part no.: 10.01.12.00636

Homepage > Vacuum Clamping Technology > Clamping Solutions for Woodworking > Console Table Systems > Clamping Equipment for Schmalz  
Consoles (two-circuit) > VCBLS-K2 140x115x50

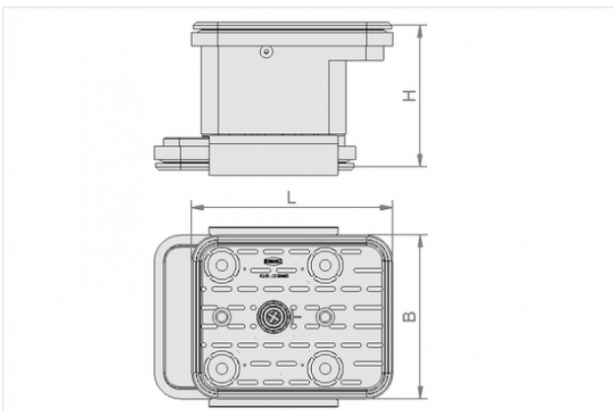
## Template suction cup for Schmalz 2-circuit console



Dimensions (LxB): 140 x 115 mm

Height H: 50 mm

## Design Data



### Attribute

### Value

H

50 mm

## Spare Parts

### Contact to Schmalz

J. Schmalz GmbH | Johannes-Schmalz-Straße, 72293 Glatten, Deutschland | +49 7443 2403-102 | [customercenter@schmalz.de](mailto:customercenter@schmalz.de)



**VCSP-U 140x115x16.5 VCBL-K2**

Part no. 10.01.12.00798

Suction-Plate for vacuum block, bottom

Dimensions (LxB): 140 x 115 mm

Height H: 16.5 mm

for: Vacuum block VCBL-K2