

Vacuum block

VCBL-K2 140x115x50 TV

Part no.: 10.01.12.00627

<https://www.schmalz.com/10.01.12.00627>



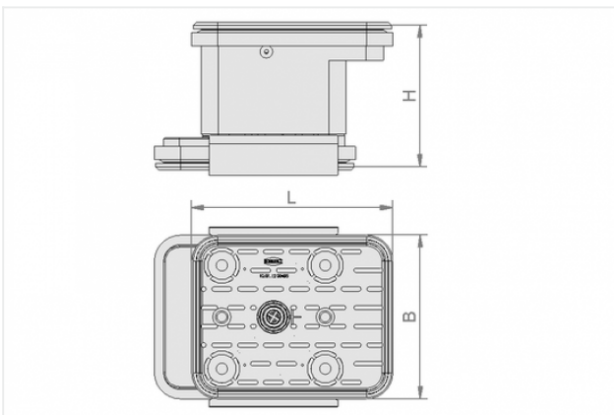
Homepage > Vacuum Clamping Technology > Clamping Solutions for Woodworking > Console Table Systems > Clamping Equipment for Schmalz
Consoles (two-circuit) > VCBL-K2 140x115x50 TV

Vacuum block for Schmalz 2-circuit console



Dimensions (LxB): 140 x 115 mm
Height H: 50 mm
with: Sensing valve

Design Data



Attribute	Value
-----------	-------

B	115 mm
---	--------

H	50 mm
---	-------

L	140 mm
---	--------

Technical Data

Attribute	Value
-----------	-------

Weight	0.6 kg
--------	--------

Contact to Schmalz

J. Schmalz GmbH | Johannes-Schmalz-Straße, 72293 Glatten, Deutschland | +49 7443 2403-102 |
customercenter@schmalz.de

Spare Parts



VCSP-O 140x115x16.5

Part no. 10.01.12.00488

Suction-Plate for vacuum block, (top)

Dimensions (LxB): 140 x 115 mm

Height H: 16.5 mm



VCSP-U 140x115x16.5 VCBL-K2

Part no. 10.01.12.00798

Suction-Plate for vacuum block, bottom

Dimensions (LxB): 140 x 115 mm

Height H: 16.5 mm

for: Vacuum block VCBL-K2