

# Vacuum block

## VCBL-K2 140x115x50

Part no.: 10.01.12.00626

<https://www.schmalz.com/10.01.12.00626>



Homepage > Vacuum Clamping Technology > Clamping Solutions for Woodworking > Console Table Systems > Clamping Equipment for Schmalz  
Consoles (two-circuit) > VCBL-K2 140x115x50

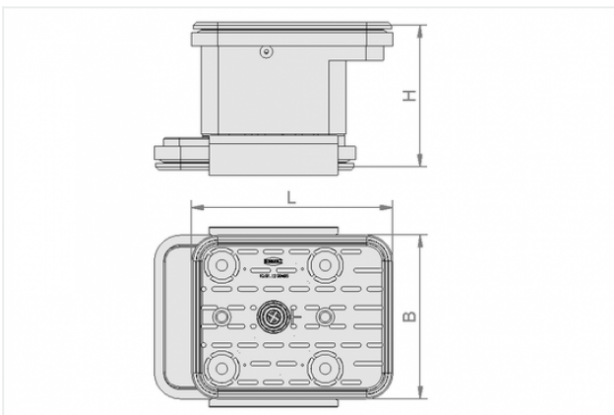
### Vacuum block for Schmalz 2-circuit console



Dimensions (LxB): 140 x 115 mm

Height H: 50 mm

### Design Data



Attribute	Value
-----------	-------

B	115 mm
---	--------

H	50 mm
---	-------

L	140 mm
---	--------

### Technical Data

Attribute	Value
-----------	-------

Weight	0.6 kg
--------	--------

### Contact to Schmalz

J. Schmalz GmbH | Johannes-Schmalz-Straße, 72293 Glatten, Deutschland | +49 7443 2403-102 |  
customercenter@schmalz.de

## Spare Parts



### **VCSP-O 140x115x16.5**

Part no. 10.01.12.00488

Suction-Plate for vacuum block, (top)

Dimensions (LxB): 140 x 115 mm

Height H: 16.5 mm



### **VCSP-U 140x115x16.5 VCBL-K2**

Part no. 10.01.12.00798

Suction-Plate for vacuum block, bottom

Dimensions (LxB): 140 x 115 mm

Height H: 16.5 mm

for: Vacuum block VCBL-K2