

Cup

ISCUP Cup 3 80x28x30

Part no.: 10.01.15.00005

<https://www.schmalz.com/10.01.15.00005>



Homepage > Vacuum Clamping Technology > Clamping Solutions for Woodworking > Modernization of CNC Machining Centers > Innospann Steel-Plate > ISCUP Cup 3 80x28x30

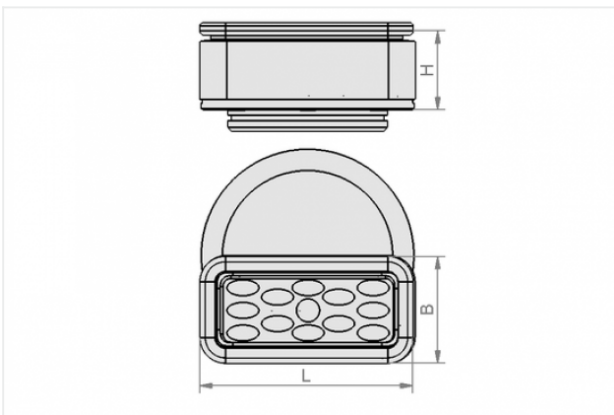
Suction cup for Innospann



Dimensions (LxB): 80 x 28 mm

Height H: 30 mm

Design Data



Attribute	Value
-----------	-------

B	28 mm
---	-------

H	30 mm
---	-------

L	80 mm
---	-------

Technical Data

Attribute	Value
-----------	-------

Weight	0.074 kg
--------	----------

Contact to Schmalz

J. Schmalz GmbH | Johannes-Schmalz-Straße, 72293 Glatten, Deutschland | +49 7443 2403-102 | customercenter@schmalz.de

Spare Parts



ISRPL 66x14x8.5

Part no. 10.01.15.00019

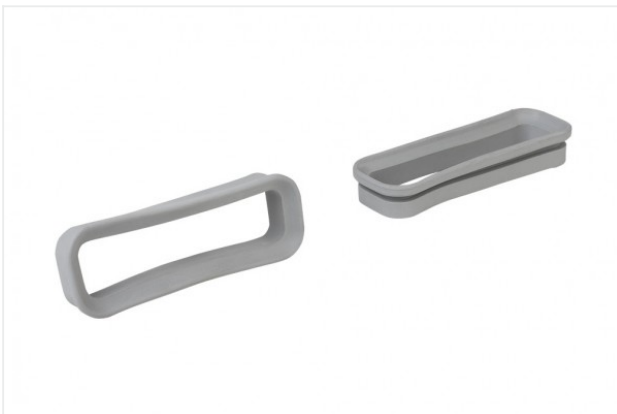
Friction plate

Length: 66 mm

Width: 14 mm

Height: 8.5 mm

Type: Cup 3



ISDR 81x31x12 Cup 3

Part no. 10.01.15.00022

Sealing frame

Length L: 81 mm

Width B: 31 mm

Height H: 12 mm

Type: Cup 3



DI-PROF 4x10 MOS EPDM HR

Part no. 10.01.15.00062

Sealing section for construction of specific gripper solutions

Width B: 4 mm

Height H: 10 mm

Material-Type: Foam rubber

Sealing material: EPDM

Shape: half-round