

Mechanical clamp

VCMC-K2 154x128x100 10-100

<https://www.schmalz.com/10.01.12.01885>



Part no.: 10.01.12.01885

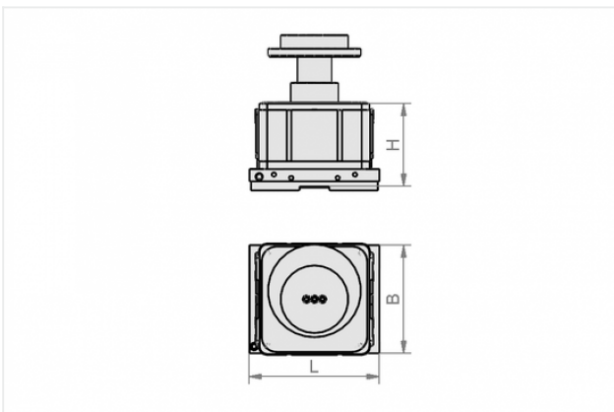
Homepage > Vacuum Clamping Technology > Clamping Solutions for Woodworking > Console Table Systems > Clamping Equipment for Schmalz
Consoles (two-circuit) > VCMC-K2 154x128x100 10-100

Mechanical clamp for narrow and frame parts, 2-circuit console



Dimensions (LxB): 154 x 128 mm
Height H: 100 mm
Stroke Z: 40 mm
Clamping range: 10.0 ... 100.0 mm

Design Data



Attribute	Value
B	128 mm
H	100 mm
L	154 mm

Technical Data

Attribute	Value
Weight	3.277 kg

Contact to Schmalz

J. Schmalz GmbH | Johannes-Schmalz-Straße, 72293 Glatten, Deutschland | +49 7443 2403-102 |
customercenter@schmalz.de



Contact to Schmalz

J. Schmalz GmbH | Johannes-Schmalz-Straße, 72293 Glatten, Deutschland | +49 7443 2403-102 |
customercenter@schmalz.de