

Vacuum block

VCBL-K2 130x30x100 L

<https://www.schmalz.com/10.01.12.00855>



Part no.: 10.01.12.00855

Homepage > Vacuum Clamping Technology > Clamping Solutions for Woodworking > Console Table Systems > Clamping Equipment for Schmalz
Consoles (two-circuit) > VCBL-K2 130x30x100 L

Vacuum block for Schmalz 2-circuit console

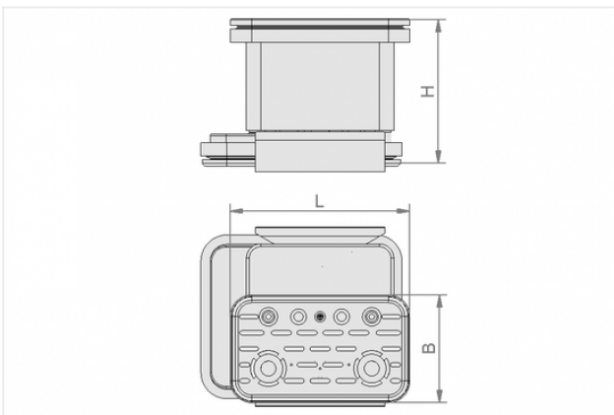


Dimensions (LxB): 130 x 30 mm

Height H: 100 mm

Arrangement: longways

Design Data



| Attribute | Value |
|-----------|-------|
|-----------|-------|

| | |
|---|-------|
| B | 30 mm |
|---|-------|

| | |
|---|--------|
| H | 100 mm |
|---|--------|

| | |
|---|--------|
| L | 130 mm |
|---|--------|

Technical Data

| Attribute | Value |
|-----------|-------|
|-----------|-------|

| | |
|--------|---------|
| Weight | 0.63 kg |
|--------|---------|

Contact to Schmalz

J. Schmalz GmbH | Johannes-Schmalz-Straße, 72293 Glatten, Deutschland | +49 7443 2403-102 | customercenter@schmalz.de

Spare Parts



VCSP-U 140x115x16.5 VCBL-K2

Part no. 10.01.12.00798

Suction-Plate for vacuum block, bottom

Dimensions (LxB): 140 x 115 mm

Height H: 16.5 mm

for: Vacuum block VCBL-K2