

Vacuum block

VCBL-K2 130x30x100 Q

Part no.: 10.01.12.00854

<https://www.schmalz.com/10.01.12.00854>



Homepage > Vacuum Clamping Technology > Clamping Solutions for Woodworking > Console Table Systems > Clamping Equipment for Schmalz
Consoles (two-circuit) > VCBL-K2 130x30x100 Q

Vacuum block for Schmalz 2-circuit console

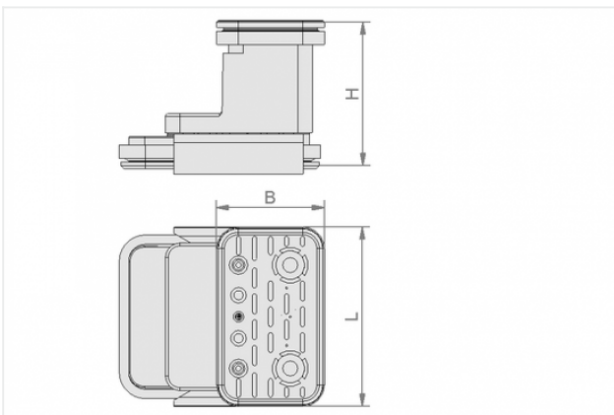


Dimensions (LxB): 130 x 30 mm

Height H: 100 mm

Arrangement: crossways

Design Data



Attribute	Value
-----------	-------

B	30 mm
---	-------

H	100 mm
---	--------

L	130 mm
---	--------

Technical Data

Attribute	Value
-----------	-------

Weight	0.63 kg
--------	---------

Contact to Schmalz

J. Schmalz GmbH | Johannes-Schmalz-Straße, 72293 Glatten, Deutschland | +49 7443 2403-102 | customercenter@schmalz.de

Spare Parts



VCSP-U 140x115x16.5 VCBL-K2

Part no. 10.01.12.00798

Suction-Plate for vacuum block, bottom

Dimensions (LxB): 140 x 115 mm

Height H: 16.5 mm

for: Vacuum block VCBL-K2