

# Vacuum block

## VCBL-K2 120x50x100 L

Part no.: 10.01.12.00853

<https://www.schmalz.com/10.01.12.00853>



Homepage > Vacuum Clamping Technology > Clamping Solutions for Woodworking > Console Table Systems > Clamping Equipment for Schmalz  
Consoles (two-circuit) > VCBL-K2 120x50x100 L

### Vacuum block for Schmalz 2-circuit console

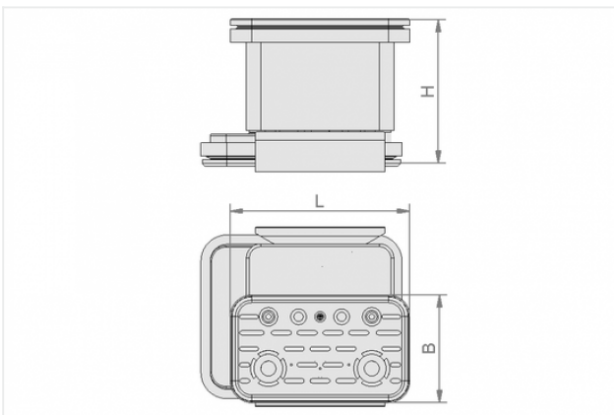


Dimensions (LxB): 120 x 50 mm

Height H: 100 mm

Arrangement: longways

### Design Data



Attribute	Value
-----------	-------

B	50 mm
---	-------

H	100 mm
---	--------

L	120 mm
---	--------

### Technical Data

Attribute	Value
Weight	0.63 kg

### Contact to Schmalz

J. Schmalz GmbH | Johannes-Schmalz-Straße, 72293 Glatten, Deutschland | +49 7443 2403-102 | [customercenter@schmalz.de](mailto:customercenter@schmalz.de)

## Spare Parts



### **VCSP-O 120x50x15.5**

Part no. 10.01.12.00012

Suction-Plate for vacuum block, (top)

Dimensions (LxB): 120 x 50 mm

Height H: 15.5 mm



### **VCSP-U 140x115x16.5 VCBL-K2**

Part no. 10.01.12.00798

Suction-Plate for vacuum block, bottom

Dimensions (LxB): 140 x 115 mm

Height H: 16.5 mm

for: Vacuum block VCBL-K2