

Vacuum block

<https://www.schmalz.com/10.01.12.02214>



VCBL-K1 120x50x125 D-360

Part no.: 10.01.12.02214

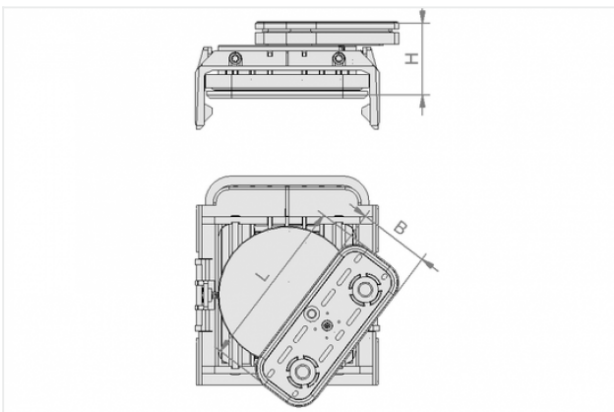
Homepage > Vacuum Clamping Technology > Clamping Solutions for Woodworking > Console Table Systems > Clamping Equipment for Schmalz
Consoles (single-circuit) > VCBL-K1 120x50x125 D-360

Vacuum block for Schmalz 1-circuit console



Dimensions (LxB): 120 x 50 mm
Height H: 125 mm
Arrangement: Can be turned 360°

Design Data



| Attribute | Value |
|-----------|-------|
|-----------|-------|

| | |
|---|-------|
| B | 50 mm |
|---|-------|

| | |
|---|--------|
| H | 125 mm |
|---|--------|

| | |
|---|--------|
| L | 120 mm |
|---|--------|

Contact to Schmalz

J. Schmalz GmbH | Johannes-Schmalz-Straße, 72293 Glatten, Deutschland | +49 7443 2403-102 | customercenter@schmalz.de