

# Vacuum block

<https://www.schmalz.com/10.01.12.02213>



## VCBL-K1 125x75x125 D-360

Part no.: 10.01.12.02213

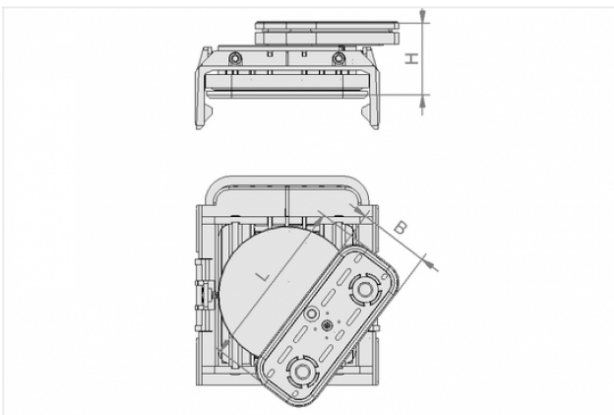
Homepage > Vacuum Clamping Technology > Clamping Solutions for Woodworking > Console Table Systems > Clamping Equipment for Schmalz  
Consoles (single-circuit) > VCBL-K1 125x75x125 D-360

### Vacuum block for Schmalz 1-circuit console



Dimensions (LxB): 125 x 75 mm  
Height H: 125 mm  
Arrangement: Can be turned 360°

### Design Data



Attribute	Value
-----------	-------

B	75 mm
---	-------

H	125 mm
---	--------

L	125 mm
---	--------

### Technical Data

Attribute	Value
-----------	-------

Weight	1.239 kg
--------	----------

### Contact to Schmalz

J. Schmalz GmbH | Johannes-Schmalz-Straße, 72293 Glatten, Deutschland | +49 7443 2403-102 | [customercenter@schmalz.de](mailto:customercenter@schmalz.de)



---

### Contact to Schmalz

J. Schmalz GmbH | Johannes-Schmalz-Straße, 72293 Glatten, Deutschland | +49 7443 2403-102 |  
customercenter@schmalz.de