

Sealing frame

VCDR 130x30x9

Part no.: 10.01.12.00804

<https://www.schmalz.com/10.01.12.00804>



Homepage > Vacuum Clamping Technology > Clamping Solutions for Woodworking > Replacement Suction Plates > Upper Suction Plates > VCDR 130x30x9

Sealing frame

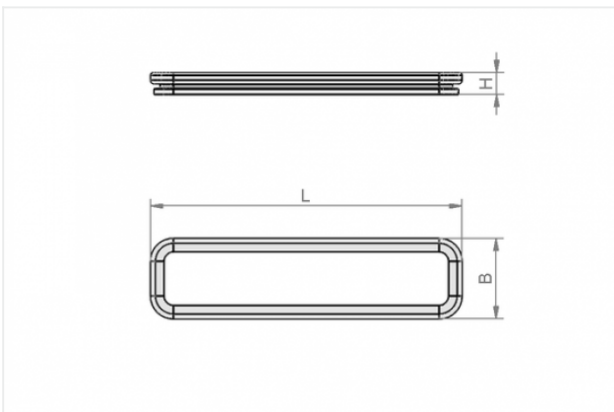


Length: 130 mm

Width: 30 mm

Height: 9 mm

Design Data



Attribute	Value
-----------	-------

B	30 mm
---	-------

H	9 mm
---	------

L	130 mm
---	--------

Contact to Schmalz

J. Schmalz GmbH | Johannes-Schmalz-Straße, 72293 Glatten, Deutschland | +49 7443 2403-102 | customercenter@schmalz.de