

Vacuum block

VCBL-K1 130x30x100 Q

Part no.: 10.01.12.02486

<https://www.schmalz.com/10.01.12.02486>



Homepage > Vacuum Clamping Technology > Clamping Solutions for Woodworking > Console Table Systems > Clamping Equipment for Schmalz
Consoles (single-circuit) > VCBL-K1 130x30x100 Q

Vacuum block for Schmalz 1-circuit console

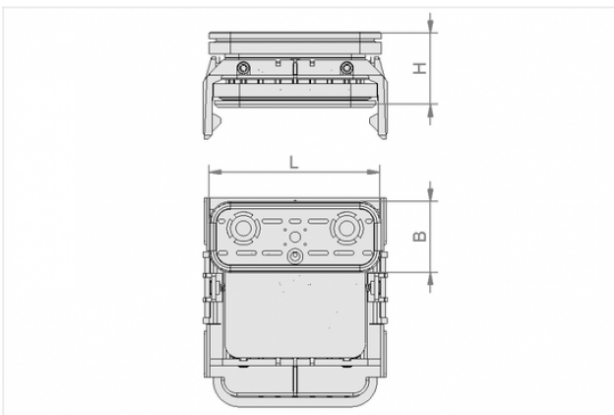


Dimensions (LxB): 130 x 30 mm

Height H: 100 mm

Arrangement: crossways

Design Data



Attribute	Value
-----------	-------

B	130 mm
---	--------

H	100 mm
---	--------

L	140 mm
---	--------

Technical Data

Attribute	Value
-----------	-------

Weight	0.678 kg
--------	----------

Contact to Schmalz

J. Schmalz GmbH | Johannes-Schmalz-Straße, 72293 Glatten, Deutschland | +49 7443 2403-102 | customercenter@schmalz.de

Spare Parts



VCSP-U 140x115x16.5 VCBL-K1

Part no. 10.01.12.00228

Suction-Plate for vacuum block, bottom

Dimensions (LxB): 140 x 115 mm

Height H: 16.5 mm

for: Vacuum block VCBL-K1



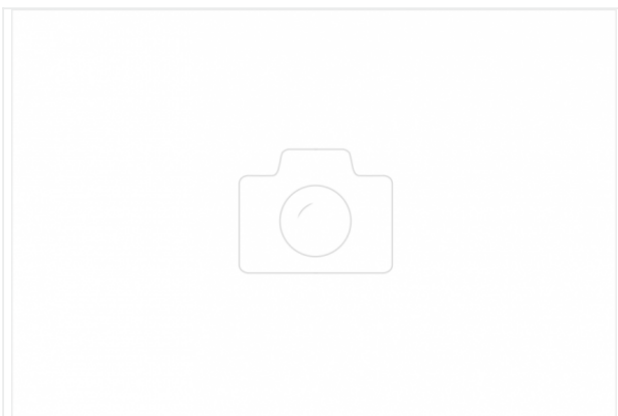
VST VC-SYS Einleger

Part no. 10.01.12.00618

Set of parts subject to wear

for: Vacuum clamping system

Size: Einleger



VCSP-O 130x30x29.5

Part no. 10.01.12.00702

Suction-Plate for vacuum block, (top)

Dimensions (LxB): 130 x 30 mm

Height H: 29.5 mm

for: Vacuum block VCBL-G



VCDR 130x30x9

Part no. 10.01.12.00804

Sealing frame

Length: 130 mm

Width: 30 mm

Height: 9 mm