

Vacuum block

VCBL-K1 120x50x100 Q

Part no.: 10.01.12.02484

<https://www.schmalz.com/10.01.12.02484>



Homepage > Vacuum Clamping Technology > Clamping Solutions for Woodworking > Console Table Systems > Clamping Equipment for Schmalz
Consoles (single-circuit) > VCBL-K1 120x50x100 Q

Vacuum block for Schmalz 1-circuit console

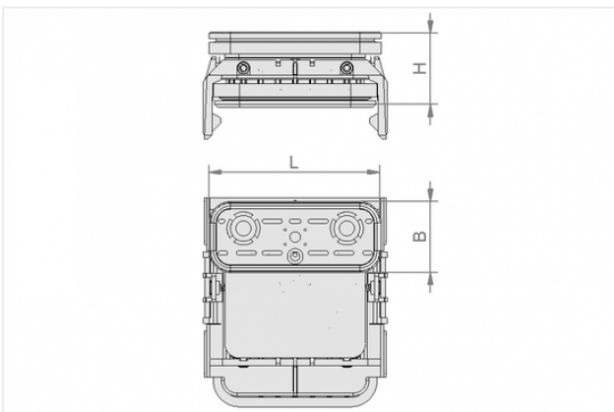


Dimensions (LxB): 120 x 50 mm

Height H: 100 mm

Arrangement: crossways

Design Data



Attribute	Value
-----------	-------

B	129 mm
---	--------

H	100 mm
---	--------

L	141.5 mm
---	----------

Technical Data

Attribute	Value
-----------	-------

Weight	0.688 kg
--------	----------

Contact to Schmalz

J. Schmalz GmbH | Johannes-Schmalz-Straße, 72293 Glatten, Deutschland | +49 7443 2403-102 | customercenter@schmalz.de

Spare Parts



VCSP-U 140x115x16.5 VCBL-K1

Part no. 10.01.12.00228

Suction-Plate for vacuum block, bottom

Dimensions (LxB): 140 x 115 mm

Height H: 16.5 mm

for: Vacuum block VCBL-K1



VST VC-SYS Einleger

Part no. 10.01.12.00618

Set of parts subject to wear

for: Vacuum clamping system

Size: Einleger



VCSP-O 120x50x15.5

Part no. 10.01.12.00012

Suction-Plate for vacuum block, (top)

Dimensions (LxB): 120 x 50 mm

Height H: 15.5 mm