

# Vacuum block

## VCBL-K1 125x75x100 Q

Part no.: 10.01.12.02482

<https://www.schmalz.com/10.01.12.02482>



Homepage > Vacuum Clamping Technology > Clamping Solutions for Woodworking > Console Table Systems > Clamping Equipment for Schmalz  
Consoles (single-circuit) > VCBL-K1 125x75x100 Q

### Vacuum block for Schmalz 1-circuit console

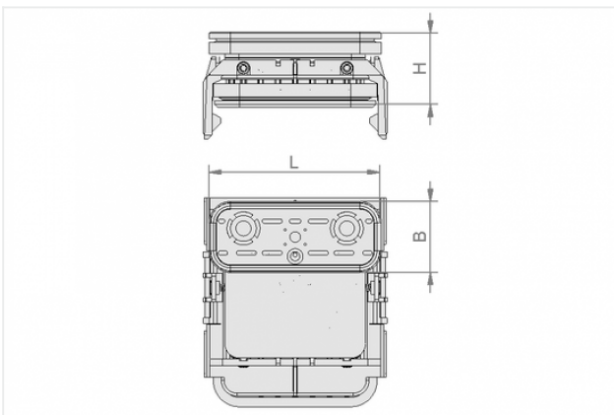


Dimensions (LxB): 125 x 75 mm

Height H: 100 mm

Arrangement: crossways

### Design Data



Attribute	Value
-----------	-------

B	130 mm
---	--------

H	100 mm
---	--------

L	146.2 mm
---	----------

### Technical Data

Attribute	Value
-----------	-------

Weight	0.746 kg
--------	----------

### Contact to Schmalz

J. Schmalz GmbH | Johannes-Schmalz-Straße, 72293 Glatten, Deutschland | +49 7443 2403-102 | [customercenter@schmalz.de](mailto:customercenter@schmalz.de)

## Spare Parts



### **VCSP-O 125x75x16.5**

Part no. 10.01.12.00011

Suction-Plate for vacuum block, (top)

Dimensions (LxB): 125 x 75 mm

Height H: 16.5 mm



### **VST VC-SYS Einleger**

Part no. 10.01.12.00618

Set of parts subject to wear

for: Vacuum clamping system

Size: Einleger



### **VCSP-U 140x115x16.5 VCBL-K1**

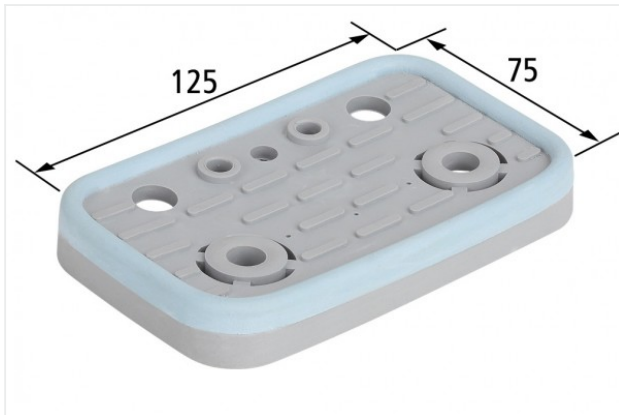
Part no. 10.01.12.00228

Suction-Plate for vacuum block, bottom

Dimensions (LxB): 140 x 115 mm

Height H: 16.5 mm

for: Vacuum block VCBL-K1



**VCSP-O 125x75x17.3 MOS**

Part no. 10.01.12.01718

Suction-Plate for vacuum block, (top)

Dimensions (LxB): 125 x 75 mm

Height H: 17.3 mm

with: Sealing lip with MOS