

# Vacuum block

## VCBL-K1 130x30x85 Q

Part no.: 10.01.12.01691

<https://www.schmalz.com/10.01.12.01691>



Homepage > Vacuum Clamping Technology > Clamping Solutions for Woodworking > Console Table Systems > Clamping Equipment for Schmalz  
Consoles (single-circuit) > VCBL-K1 130x30x85 Q

### Vacuum block for Schmalz 1-circuit console

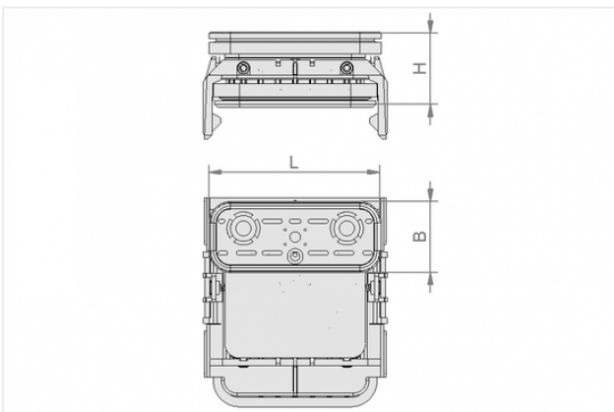


Dimensions (LxB): 130 x 30 mm

Height H: 85 mm

Arrangement: crossways

### Design Data



Attribute	Value
-----------	-------

B	30 mm
---	-------

H	85 mm
---	-------

L	130 mm
---	--------

### Technical Data

Attribute	Value
-----------	-------

Weight	0.84 kg
--------	---------

### Contact to Schmalz

J. Schmalz GmbH | Johannes-Schmalz-Straße, 72293 Glatten, Deutschland | +49 7443 2403-102 | [customercenter@schmalz.de](mailto:customercenter@schmalz.de)



---

### Contact to Schmalz

J. Schmalz GmbH | Johannes-Schmalz-Straße, 72293 Glatten, Deutschland | +49 7443 2403-102 |  
customercenter@schmalz.de