

Vacuum block

<https://www.schmalz.com/10.01.12.01556>



VCBL-K1 120x50x85 D-360

Part no.: 10.01.12.01556

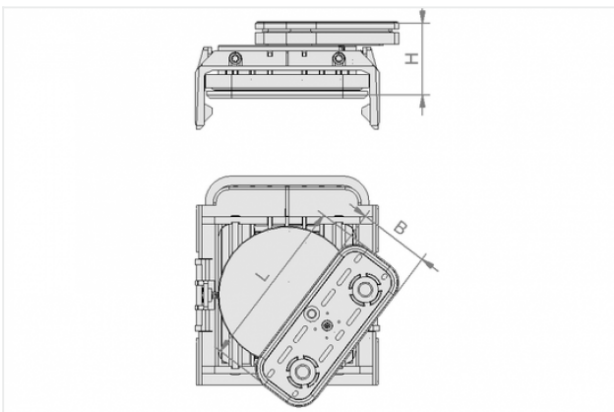
Homepage > Vacuum Clamping Technology > Clamping Solutions for Woodworking > Console Table Systems > Clamping Equipment for Schmalz
Consoles (single-circuit) > VCBL-K1 120x50x85 D-360

Vacuum block for Schmalz 1-circuit console



Dimensions (LxB): 120 x 50 mm
Height H: 85 mm
Arrangement: Can be turned 360°

Design Data



Attribute	Value
-----------	-------

H	85 mm
---	-------

Technical Data

Attribute	Value
Weight	0.859 kg

Contact to Schmalz

J. Schmalz GmbH | Johannes-Schmalz-Straße, 72293 Glatten, Deutschland | +49 7443 2403-102 | customercenter@schmalz.de



Contact to Schmalz

J. Schmalz GmbH | Johannes-Schmalz-Straße, 72293 Glatten, Deutschland | +49 7443 2403-102 |
customercenter@schmalz.de