

# Vacuum block

## VCBL-K1 125x75x85 Q

Part no.: 10.01.12.01554

<https://www.schmalz.com/10.01.12.01554>



Homepage > Vacuum Clamping Technology > Clamping Solutions for Woodworking > Console Table Systems > Clamping Equipment for Schmalz  
Consoles (single-circuit) > VCBL-K1 125x75x85 Q

### Vacuum block for Schmalz 1-circuit console

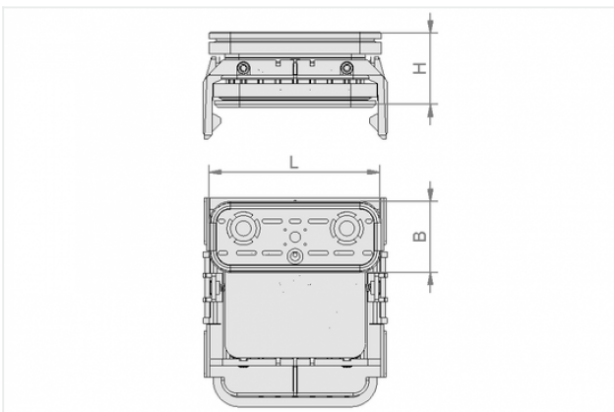


Dimensions (LxB): 125 x 75 mm

Height H: 85 mm

Arrangement: crossways

### Design Data



Attribute	Value
-----------	-------

B	75 mm
---	-------

H	85 mm
---	-------

L	125 mm
---	--------

### Technical Data

Attribute	Value
-----------	-------

Weight	0.722 kg
--------	----------

### Contact to Schmalz

J. Schmalz GmbH | Johannes-Schmalz-Straße, 72293 Glatten, Deutschland | +49 7443 2403-102 | [customercenter@schmalz.de](mailto:customercenter@schmalz.de)

