

# Vacuum block

## VCBL-K1 120x50x50 D-360

<https://www.schmalz.com/10.01.12.00825>



Part no.: 10.01.12.00825

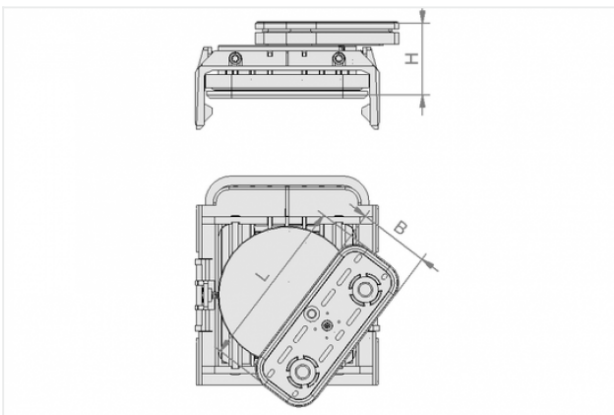
Homepage > Vacuum Clamping Technology > Clamping Solutions for Woodworking > Console Table Systems > Clamping Equipment for Schmalz  
Consoles (single-circuit) > VCBL-K1 120x50x50 D-360

### Vacuum block for Schmalz 1-circuit console



Dimensions (LxB): 120 x 50 mm  
Height H: 50 mm  
Arrangement: Can be turned 360°

### Design Data



| Attribute | Value  |
|-----------|--------|
| B         | 50 mm  |
| H         | 50 mm  |
| L         | 120 mm |

### Technical Data

| Attribute | Value  |
|-----------|--------|
| Weight    | 0.7 kg |

### Contact to Schmalz

J. Schmalz GmbH | Johannes-Schmalz-Straße, 72293 Glatten, Deutschland | +49 7443 2403-102 | [customercenter@schmalz.de](mailto:customercenter@schmalz.de)

## Spare Parts



### **VCSP-O 120x50x15.5**

Part no. 10.01.12.00012

Suction-Plate for vacuum block, (top)

Dimensions (LxB): 120 x 50 mm

Height H: 15.5 mm



### **VCSP-U 140x115x16.5 VCBL-K1**

Part no. 10.01.12.00228

Suction-Plate for vacuum block, bottom

Dimensions (LxB): 140 x 115 mm

Height H: 16.5 mm

for: Vacuum block VCBL-K1