

Vacuum block

VCBL-K1 120x50x50 Q

Part no.: 10.01.12.00770

<https://www.schmalz.com/10.01.12.00770>



Homepage > Vacuum Clamping Technology > Clamping Solutions for Woodworking > Console Table Systems > Clamping Equipment for Schmalz
Consoles (single-circuit) > VCBL-K1 120x50x50 Q

Vacuum block for Schmalz 1-circuit console

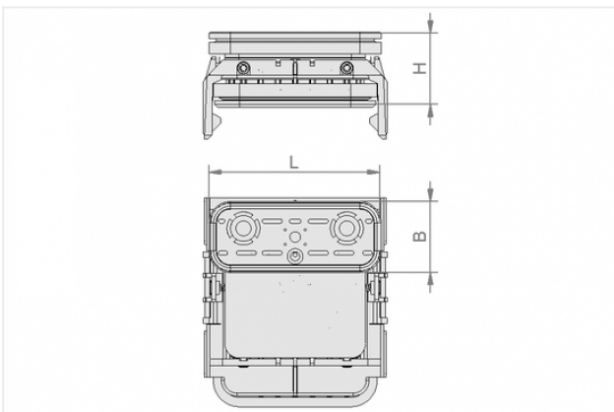


Dimensions (LxB): 120 x 50 mm

Height H: 50 mm

Arrangement: crossways

Design Data



Attribute	Value
-----------	-------

B	50 mm
---	-------

H	50 mm
---	-------

L	120 mm
---	--------

Technical Data

Attribute	Value
-----------	-------

Weight	0.6 kg
--------	--------

Contact to Schmalz

J. Schmalz GmbH | Johannes-Schmalz-Straße, 72293 Glatten, Deutschland | +49 7443 2403-102 | customercenter@schmalz.de



Contact to Schmalz

J. Schmalz GmbH | Johannes-Schmalz-Straße, 72293 Glatten, Deutschland | +49 7443 2403-102 |
customercenter@schmalz.de