

## Vacuum block

<https://www.schmalz.com/10.01.12.00497>



### VCBL-K1 125x75x50 D-360

Part no.: 10.01.12.00497

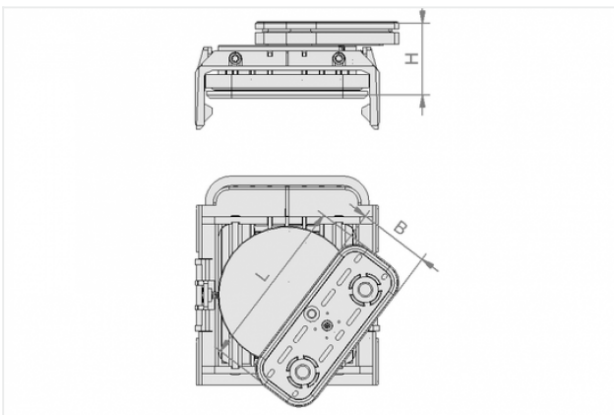
Homepage > Vacuum Clamping Technology > Clamping Solutions for Woodworking > Console Table Systems > Clamping Equipment for Schmalz  
Consoles (single-circuit) > VCBL-K1 125x75x50 D-360

## Vacuum block for Schmalz 1-circuit console



Dimensions (LxB): 125 x 75 mm  
Height H: 50 mm  
Arrangement: Can be turned 360°

## Design Data



Attribute	Value
B	75 mm
H	50 mm
L	125 mm

## Technical Data

Attribute	Value
Weight	0.7 kg

## Contact to Schmalz

J. Schmalz GmbH | Johannes-Schmalz-Straße, 72293 Glatten, Deutschland | +49 7443 2403-102 | [customercenter@schmalz.de](mailto:customercenter@schmalz.de)

## Spare Parts



### **VCSP-O 125x75x16.5**

Part no. 10.01.12.00011

Suction-Plate for vacuum block, (top)

Dimensions (LxB): 125 x 75 mm

Height H: 16.5 mm



### **VCSP-U 140x115x16.5 VCBL-K1**

Part no. 10.01.12.00228

Suction-Plate for vacuum block, bottom

Dimensions (LxB): 140 x 115 mm

Height H: 16.5 mm

for: Vacuum block VCBL-K1