

Vacuum block

VCBL-K1 125x75x50 Q

Part no.: 10.01.12.00211

<https://www.schmalz.com/10.01.12.00211>



Homepage > Vacuum Clamping Technology > Clamping Solutions for Woodworking > Console Table Systems > Clamping Equipment for Schmalz
Consoles (single-circuit) > VCBL-K1 125x75x50 Q

Vacuum block for Schmalz 1-circuit console

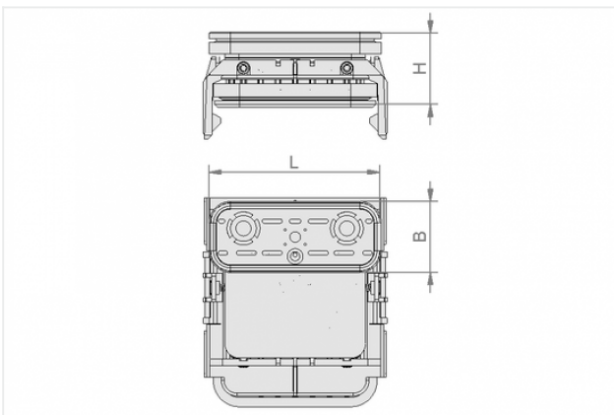


Dimensions (LxB): 125 x 75 mm

Height H: 50 mm

Arrangement: crossways

Design Data



Attribute	Value
-----------	-------

B	75 mm
---	-------

H	50 mm
---	-------

L	125 mm
---	--------

Technical Data

Attribute	Value
-----------	-------

Weight	0.6 kg
--------	--------

Contact to Schmalz

J. Schmalz GmbH | Johannes-Schmalz-Straße, 72293 Glatten, Deutschland | +49 7443 2403-102 | customercenter@schmalz.de

Spare Parts



VCSP-O 125x75x16.5

Part no. 10.01.12.00011

Suction-Plate for vacuum block, (top)

Dimensions (LxB): 125 x 75 mm

Height H: 16.5 mm



VCSP-U 140x115x16.5 VCBL-K1

Part no. 10.01.12.00228

Suction-Plate for vacuum block, bottom

Dimensions (LxB): 140 x 115 mm

Height H: 16.5 mm

for: Vacuum block VCBL-K1