

# Template suction cup

## VCBLS-K1 140x115x50

<https://www.schmalz.com/10.01.12.00275>



Part no.: 10.01.12.00275

Homepage > Vacuum Clamping Technology > Clamping Solutions for Woodworking > Console Table Systems > Clamping Equipment for Schmalz  
Consoles (single-circuit) > VCBLS-K1 140x115x50

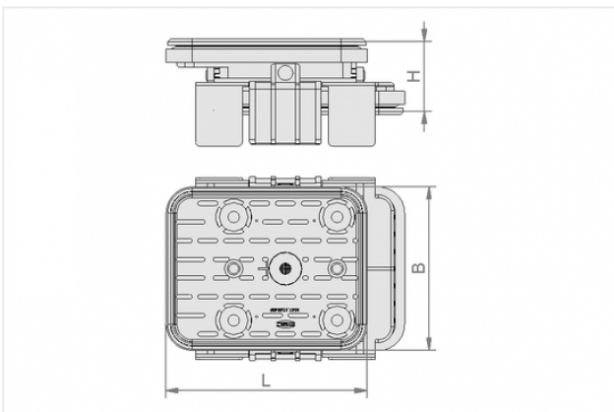
## Template suction cup for Schmalz 1-circuit console



Dimensions (LxB): 140 x 115 mm

Height H: 50 mm

## Design Data



Attribute	Value
-----------	-------

H	50 mm
---	-------

## Spare Parts

### Contact to Schmalz

J. Schmalz GmbH | Johannes-Schmalz-Straße, 72293 Glatten, Deutschland | +49 7443 2403-102 | [customercenter@schmalz.de](mailto:customercenter@schmalz.de)



**VCSP-U 140x115x16.5 VCBL-K1**

Part no. 10.01.12.00228

Suction-Plate for vacuum block, bottom

Dimensions (LxB): 140 x 115 mm

Height H: 16.5 mm

for: Vacuum block VCBL-K1