

Vacuum/pressure switch

<https://www.schmalz.com/10.06.02.00039>



VS-VP10-NPN M8-4

Part no.: 10.06.02.00039

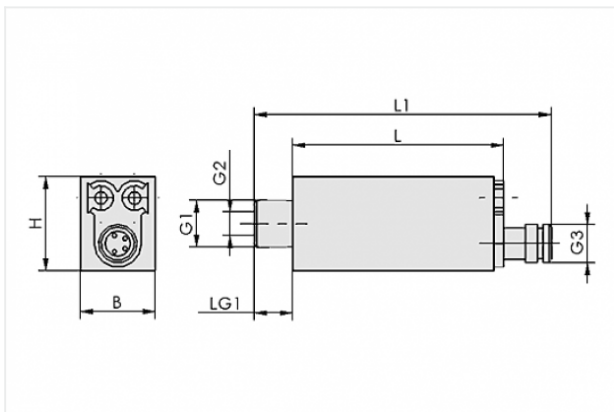
Homepage > Vacuum Technology for Automation > Vacuum Components > Switches and System Monitoring > Electronic Vacuum/Pressure Switches > Vacuum and Pressure Switches VS-P > VS-VP10-NPN M8-4

Vacuum/pressure switch with digital and analogue output signal



Measuring range: -1.0 ... 10.0 bar
Type: Switches to minus
Electrical connection:
Male connect M8, 4 pole
Inputs/outputs: 1 anal./1 dig 1...5V

Design Data



Attribute	Value
-----------	-------

B	15.7 mm
---	---------

G1	G1/8"-M
----	---------

G2	M5-F
----	------

G3	M8x1-M
----	--------

H	19.7 mm
---	---------

L	44 mm
---	-------

L1	62 mm
----	-------

LG1	8 mm
-----	------

Technical Data

Contact to Schmalz

J. Schmalz GmbH | Johannes-Schmalz-Straße, 72293 Glatten, Deutschland | +49 7443 2403-102 | customercenter@schmalz.de

Attribute	Value
Measured medium	Non-aggressive gases; dry, oil-free air
Measuring range	-1.0 ... 10.0 bar
Overpressure resistance	16 bar
Repeatability	± 1% of full-scale value
Hysteresis	Adjustable: 3 to 25% of set value
Inputs/outputs	1 anal./1 dig 1...5V
Switching capacity (max)	125 mA
On time	5 ms
Indication	LED
Electrical connection	Male connect M8, 4 pole
Connection	G1/8"-M + M5-F
Voltage	10.8-30V DC
Current consumption	30 mA
Protection	IP 40/65 (with hose)
Temperature influence	± 3% of full-scale value
Ambient temperature	0 ... 50 °C
Weight	18 g

Accessories

Contact to Schmalz



ASK B-M8-4 5000 K-4P

Part no. 10.06.02.00031

Connection cable

Interface Connection cable:

Fem connect M8, 4 pol

Cable length: 5000 mm

Interface Connection cable: Cable 4

Material: PUR-Cable



ASK WB-M8-4 5000 K-4P

Part no. 10.06.02.00032

Connection cable

Interface Connection cable:

Elbow fem con M8, 4 pol

Cable length: 5000 mm

Interface Connection cable: Cable 4

Material: PUR-Cable