

Vacuum/pressure switch cube shape

VS-V-W-D-NPN-K

<https://www.schmalz.com/10.06.02.00417>



Part no.: 10.06.02.00417

Homepage > Vacuum Technology for Automation > Vacuum Components > Switches and System Monitoring > Electronic Vacuum/Pressure Switches > Vacuum and Pressure Switches VS-V/P-W-D-K(-2C) > VS-V-W-D-NPN-K

Vacuum/pressure switch in cube shape with display and digital output signals



Measuring range: -1.0 ... 0.0 bar

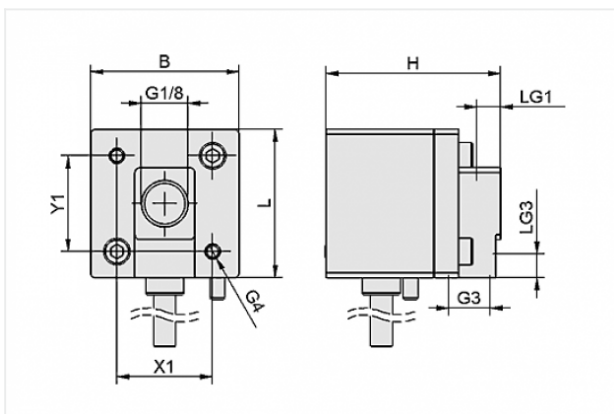
Shape: Cube, digital display

Type: Switches to minus

Electrical connection: Cable

Inputs/outputs: 2 digital

Design Data



Attribute	Value
B	31 mm
G1	G1/8"-F
G3	G1/8"-F
G4	M3-F
H	36.5 mm
L	31 mm
LG1	5 mm
LG3	5 mm
X1	20 mm
Y1	20 mm

Contact to Schmalz

J. Schmalz GmbH | Johannes-Schmalz-Straße, 72293 Glatten, Deutschland | +49 7443 2403-102 | customercenter@schmalz.de

Technical Data

Attribute	Value
Measured medium	Non-aggressive gases; dry, oil-free air
Measuring range	-1.0 ... 0.0 bar
Measured-value display	3-digit 7-segment LED
Overpressure resistance	3 bar
Repeatability	± 0.2% of max. set value
Hysteresis	Adjustable: 0 to 100% of set value or comparator mode
Inputs/outputs	2 digital
Switching capacity (max)	80 mA
Indication	2xLED
Electrical connection	Cable
Connection	G1/8"-F
Voltage	12-24V DC
Current consumption	55 mA
Protection	IP 40
Ambient temperature	0 ... 50 °C
Weight	105 g

Accessories

Contact to Schmalz



BEF-WIN 13x50x31 1.6 VS

Part no. 10.06.02.00425

Mounting bracket

Width B: 13 mm

Height H: 50 mm

Length L: 31 mm

Wall thickness s: 1.6 mm

for: Vacuum switch



EINB-RAx33.8x35.4 VS

Part no. 10.06.02.00426

Mounting frame

Width B: 33.8 mm

Height H: 35.4 mm

for: Vacuum switch