

# Vacuum/pressure switch cube shape

## VS-P10-W-D-NPN-M8-4

<https://www.schmalz.com/10.06.02.00127>



Part no.: 10.06.02.00127

Homepage > Vacuum Technology for Automation > Vacuum Components > Switches and System Monitoring > Electronic Vacuum/Pressure Switches > Vacuum and Pressure Switches VS-V/P-W-D > VS-P10-W-D-NPN-M8-4

## Vacuum/pressure switch in cube shape with display and digital output signals



Measuring range: 0.0 ... 10.0 bar

Shape: Cube, digital display

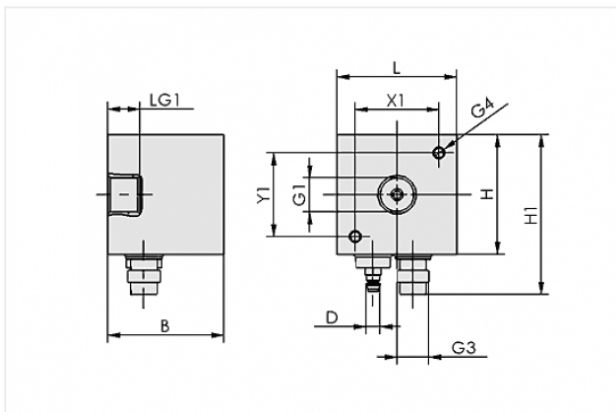
Type: Switches to minus

Electrical connection:

Male connect M8, 4 pole

Inputs/outputs: 2 digital

### Design Data



Attribute	Value
B	29 mm
D	3.4 mm
G1	G1/8"-F
G3	M8x1-M
G4	M3-F
H	30 mm
H1	40 mm
L	30 mm
LG1	8 mm
X1	21 mm
Y1	21 mm

### Contact to Schmalz

J. Schmalz GmbH | Johannes-Schmalz-Straße, 72293 Glatten, Deutschland | +49 7443 2403-102 | [customercenter@schmalz.de](mailto:customercenter@schmalz.de)

## Technical Data

Attribute	Value
Measured medium	Non-aggressive gases; dry, oil-free air
Measuring range	0.0 ... 10.0 bar
Measured-value display	3-digit 7-segment LED
Overpressure resistance	16 bar
Repeatability	± 1% of full-scale value
Hysteresis	Adjustable: 0 to 100% of set value or comparator mode
Inputs/outputs	2 digital
Switching capacity (max)	180 mA
Indication	2xLED
Display resolution	0.1 bar, 1 psi, 0.05 kgf/cm <sup>2</sup> , 0.01 Mpa
Display units	bar, psi, kgf/cm <sup>2</sup> , Mpa
Electrical connection	Male connect M8, 4 pole
Connection	G1/8"-F
Voltage	10.8-30V DC
Current consumption	55 mA
Protection	IP 40/65 (with hose)
Temperature influence	± 3% of full-scale value
Ambient temperature	0 ... 50 °C
Weight	25 g

---

## Accessories

### Contact to Schmalz



**ASK B-M8-4 5000 K-4P**

Part no. 10.06.02.00031

Connection cable

Interface Connection cable:

Fem connect M8, 4 pol

Cable length: 5000 mm

Interface Connection cable: Cable 4

Material: PUR-Cable



**ASK WB-M8-4 5000 K-4P**

Part no. 10.06.02.00032

Connection cable

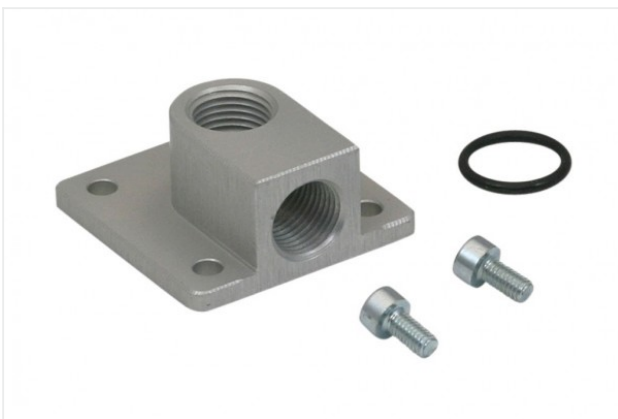
Interface Connection cable:

Elbow fem con M8, 4 pol

Cable length: 5000 mm

Interface Connection cable: Cable 4

Material: PUR-Cable



**FLAN-PL 30x14x30 VS AL-EL**

Part no. 10.06.02.00116

Flange plate

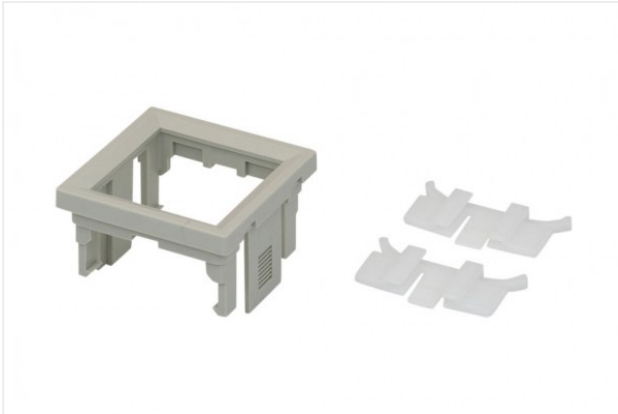
Length: 30 mm

Width: 14 mm

Height: 30 mm

for: Vacuum switch

Material: Aluminium



**EINB-RAx25.6x36 VS**

Part no. 10.06.02.00115

Mounting frame

Width: 25.6 mm

Height: 36 mm

for: Vacuum switch



**BEF-WIN 16x43.5x29 1.5 VS**

Part no. 10.06.02.00154

Mounting bracket

Width B: 16 mm

Height H: 43.5 mm

Length L: 29 mm

Wall thickness s: 1.5 mm

for: Vacuum switch