

Vacuum/pressure switch teachfunction

VS-V-AV-T-PNP M8-4 S

<https://www.schmalz.com/10.06.02.00292>



Part no.: 10.06.02.00292

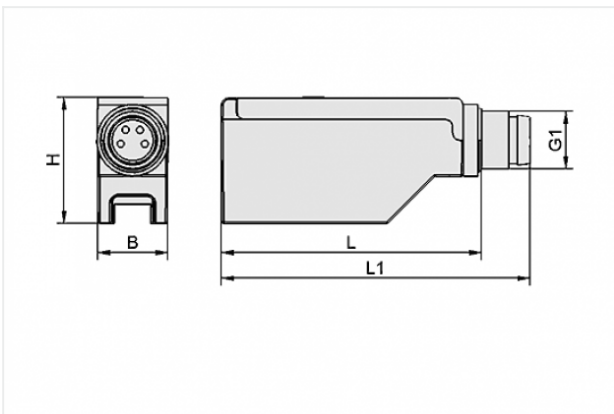
Homepage > Vacuum Technology for Automation > Vacuum Components > Switches and System Monitoring > Electronic Vacuum/Pressure Switches > Vacuum and Pressure Switches VS-V/P-AH/AV-T > VS-V-AV-T-PNP M8-4 S

Vacuum/pressure switch with 2 teachable, digital output signals



Measuring range: -1.0 ... 0.0 bar
 Shape: Adaptation vertically
 Switching-point adjustment:
 Teachfunction
 Type: Switches to plus
 Electrical connection:
 Male connect M8, 4 pole
 with: Fixed hysteresis
 Inputs/outputs: 2 digital

Design Data



Attribute	Value
B	10 mm
G1	M8-M
H	16.4 mm
L	41.2 mm
L1	48 mm

Technical Data

Attribute	Value
Measured medium	Non-aggressive gases; dry, oil-free air
Measuring range	-1.0 ... 0.0 bar

Contact to Schmalz

J. Schmalz GmbH | Johannes-Schmalz-Straße, 72293 Glatten, Deutschland | +49 7443 2403-102 | customercenter@schmalz.de

Attribute	Value
Overpressure resistance	5 bar
Repeatability	± 1% of full-scale value
Hysteresis	Fixed: approx. 20 mbar
Inputs/outputs	2 digital
Switching capacity (max)	200 mA
Indication	LED
Electrical connection	Male connect M8, 4 pole
Voltage	10-30V DC
Current consumption	20 mA
Protection	IP 40
Temperature influence	± 3% of full-scale value
Ambient temperature	0 ... 60 °C
Weight	6 g

Accessories



ADAP-VS M5-AG-1.3x16

Part no. 10.06.02.00299

Connection adapter for vacuum connection (already fitted)

Thread G1: M5-M

Internal diameter d: 1.3 mm

Length L: 16 mm

for: Vacuum switch



ADAP-VS 6-1.3x16

Part no. 10.06.02.00300

Connection adapter for vacuum connection (already fitted)

External diameter D: 6 mm

Internal diameter d: 1.3 mm

Length L: 16 mm

for: Vacuum switch