

Vacuum/pressure switch

<https://www.schmalz.com/10.06.02.00572>



VSi VP8 M12-4

Part no.: 10.06.02.00572

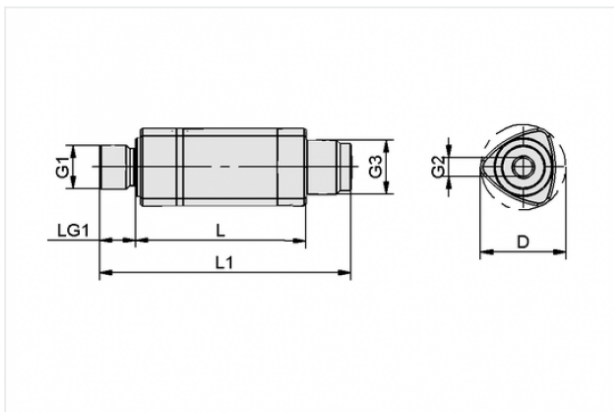
Homepage > Vacuum Technology for Automation > Vacuum Components > Switches and System Monitoring > Electronic Vacuum/Pressure Switches > Vacuum and Pressure Switches VSi > VSi VP8 M12-4

Vacuum and pressure switch with two digital output signals and IO-Link function



Measuring range: -1...8 bar
Electrical connection:
Male connect M12, 4 pol
Indication: LED
Protection: IP 65

Design Data



| Attribute | Value |
|-----------|---------|
| D | 19.6 mm |
| G1 | G1/8"-M |
| G2 | M5-F |
| G3 | M12x1-M |
| L | 38 mm |
| L1 | 56 mm |
| LG1 | 8 mm |

Technical Data

| Attribute | Value |
|-----------------|---|
| Measured medium | Non-aggressive gases; dry, oil-free air |

Contact to Schmalz

J. Schmalz GmbH | Johannes-Schmalz-Straße, 72293 Glatten, Deutschland | +49 7443 2403-102 | customercenter@schmalz.de

| Attribute | Value |
|--------------------------|--------------------------|
| Measuring range | -1.0 ... 8.0 bar |
| Overpressure resistance | 12 bar |
| Repeatability | ± 3% of full-scale value |
| Hysteresis | Adjustable |
| Inputs/outputs | 2 digital |
| Switching capacity (max) | 100 mA |
| Indication | LED |
| Electrical connection | Male connect M12, 4 pol |
| Connection | G1/8"-M + M5-F |
| Voltage | 10-30V DC |
| Current consumption | 35 mA |
| Protection | IP 65 |
| Temperature influence | ± 3% of full-scale value |
| Ambient temperature | 0 ... 50 °C |
| Weight | 12 g |
| Measuring range | -14.5 ... 116.0 psi |
| Overpressure resistance | 174.04 psi |

Accessories



ASK B-M12-4 5000 K-4P

Part no. 21.04.05.00263

Connection cable

Interface Connection 1:

Fem connect M12, 4 pol

Cable length: 5000 mm

Interface Connection 2: Cable 4

Material: PUR-Cable



BEF-WIN 18x22x59 1 VS

Part no. 10.06.02.00061

Mounting bracket

Width B: 18 mm

Height H: 22 mm

Length L: 59 mm

Wall thickness s: 1 mm

for: Vacuum switch