

Vacuum/pressure sensor

<https://www.schmalz.com/10.06.02.00562>



VS VP8 SA M8-4

Part no.: 10.06.02.00562

Homepage > Vacuum Technology for Automation > Vacuum Components > Switches and System Monitoring > Vacuum and Pressure Sensors >

Vacuum and Pressure Sensors VS > VS VP8 SA M8-4

Vacuum/pressure sensor



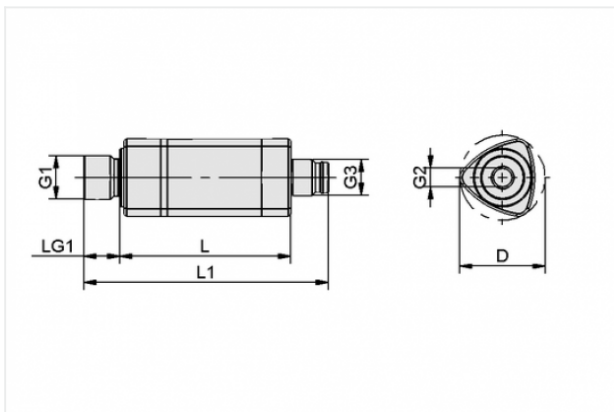
Measuring range: -1...8 bar

Type: Analogue sensor

Electrical connection:

Male connect M8, 4 pole

Design Data



Attribute	Value
D	19.6 mm
G1	G1/8"-M
G2	M5-F
G3	M8x1-M
L	38 mm
L1	55 mm
LG1	8 mm

Technical Data

Attribute	Value
Type	Analogue sensor

Contact to Schmalz

J. Schmalz GmbH | Johannes-Schmalz-Straße, 72293 Glatten, Deutschland | +49 7443 2403-102 | customercenter@schmalz.de

Attribute	Value
Measured medium	Non-aggressive gases; dry, oil-free air
Measuring range	-1.0 ... 8.0 bar
Overpressure resistance	12 bar
Repeatability	± 3% of full-scale value
Inputs/outputs	Analogue: 0...10 V
Electrical connection	Male connect M8, 4 pole
Connection	G1/8"-M + M5-F
Voltage	15-30V DC
Current consumption	10 mA
Protection	IP 65
Temperature influence	± 3% of full-scale value
Ambient temperature	0 ... 50 °C
Weight	12 g
Measuring range	-14.5 ... 116.0 psi
Overpressure resistance	174.04 psi

Accessories



ASK B-M8-4 3000 K-4P

Part no. 10.06.02.00472

Connection cable

Interface Connection 1:

Fem connect M8, 4 pol

Cable length: 3000 mm

Interface Connection 2: Cable 4

Material: PUR-Cable

Contact to Schmalz



BEF-WIN 18x22x59 1 VS

Part no. 10.06.02.00061

Mounting bracket

Width B: 18 mm

Height H: 22 mm

Length L: 59 mm

Wall thickness s: 1 mm

for: Vacuum switch